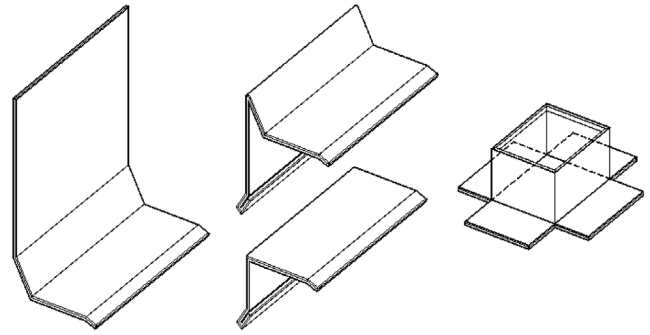


Sarnaclad



Description Sarnaclad is a heat-weldable flashing product used with Sarnafil® G and S membranes to form a monolithic roofing or waterproofing system.

Composition

- Sarnaclad is a 24 gauge, G90 galvanized metal sheet with a 0.5 mm (20 mil) unsupported Sarnafil® membrane laminated on one side.
- Sarnaclad is available in seven standard colours. Standard colors are Copper Brown, White, Evergreen, Lead Gray, Light Gray, Patina Green, and Tan.
- Sika Canada's EnergySmart Roof® colour family consists of White, Tan, Light Gray, and Patina Green.

Features

- Sarnaclad is a durable and attractive flashing product capable of being formed into a large variety of shapes and profiles. Heat-welding of Sarnafil® G and S membranes to Sarnaclad assures watertight integrity. The Sarnaclad has a unique lacquer coating to resist staining from airborne dirt and pollutants.

Packaging/Storage	Sheets/Pallet	Size	Weight/Sheet	Weight/Pallet
	25	1.2 m x 2.4 m (4 ft x 8 ft)	16 kg (35 lb)	410.5 kg (905 lb)
	25	1.2 m x 3.0 m (4 ft x 10 ft)	20 kg (44 lb)	512.6 kg (1130 lb)

Installation Sarnaclad is cut to size and formed to shape on standard sheet metal equipment. Sarnaclad is fastened in position in accordance with Sika Canada Technical requirements. The Sarnaclad joints are covered by 50 mm (2 in) wide aluminum foil tape and then made watertight by heat-welding a 100 mm (4 in) wide G410 membrane strip over the tape. By use of a Sarnafil® G or S coverstrip, the roofing or waterproofing membrane is then heat-welded to the Sarnaclad.

Availability Sarnaclad is available directly from Sika Canada Authorized Applicators when used within a Sarnafil® Roofing or Waterproofing System. Contact Sika Canada or visit www.sika.ca for further information.

Warranty As a Sika Canada-supplied accessory, Sarnaclad is included in Sika Canada's Standard or System Warranty.

Maintenance Sarnaclad requires no maintenance.

Periodic maintenance of a Sarnafil® system ensures extended performance and reduces life cycle costs. Consistent with industry practices, Sika Canada recommends inspecting the roof system for damage, plugged drains, weathered sealants, etc. at least twice a year and after each storm.

Technical Support Sika Canada provides technical support. Technical staff is available to advise applicators as to the proper installation method.



Construction



The information, and in particular, the recommendations relating to the application and end-use of Sika products, are given in good faith based on Sika's current knowledge and experience of the products when properly stored, handled and applied under normal conditions, within their shelf life. In practice, the differences in materials, substrates and actual site conditions are such that no warranty in respect of merchantability or of fitness for a particular purpose, nor any liability arising out of any legal relationship whatsoever, can be inferred either from this information, or from any recommendations, or from any other advice offered. The proprietary rights of third parties must be observed. All orders are accepted subject to our current terms of sale and delivery. Users should always refer to the most recent issue of the Product Data Sheet for the product concerned, copies of which will be supplied on request or can be accessed in the Internet under www.sika.ca.

Sika Canada Inc.
Head Office
601 Delmar Avenue
Pointe-Claire, Quebec
H9R 4A9

Other locations
Toronto
Edmonton
Vancouver

1-800-933-SIKA
www.sika.ca

An ISO 9001 certified company
Pointe-Claire: ISO 14001 certified EMS