

# FASTENER, PLATE & BAR SELECTION GUIDE

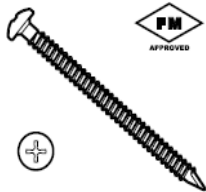







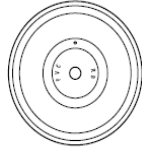


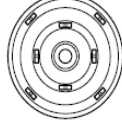


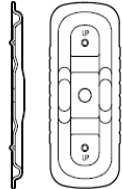




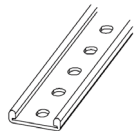





**BUILDING TRUST  
CONSTRUIRE LA CONFIANCE**



Fasteners	Deck Type						Attachment - Thermal Barrier / Insulation / Coverboard	Membrane Attachment	Lengths Available
	Purlin Steel 12 - 16 Ga	Steel 18 - 20 Ga	Steel 22 - 24 Ga	Wood Plank min 1 1/2"	Plywood min. 1/2" (5 Ply)	Structural Concrete			
Sarnafastener #12		■	■	■	■		Sarnaplate, Sarnaplate Low Profile	NA	15/8" - 8"
Sarnafastener #14				■	■	■	Sarnaplate, Sarnaplate Low Profile	Sikaplan® Eyehook, Sarnadisc XPN, Sarnadisc RhinoBond, Sarnabar, Sarnarail	11/4" - 14"
Sarnafastener #15		■	■	■	■		Sarnaplate, Sarnaplate Low Profile	Sikaplan® Eyehook, Sarnadisc XPN, Sarnadisc RhinoBond, Sarnabar, Sarnarail	11/4" - 20"
Retrodriller	■						Sarnaplate, Sarnaplate Low Profile	Sikaplan® Eyehook, Sarnadisc XPN, Sarnadisc RhinoBond, Sarnabar, Sarnarail	4" - 10"
CD-10						■	Sarnaplate	Sikaplan® Eyehook, Sarnadisc XPN, Sarnabar	2" - 12"
Deck Penetration	1"	1"	1"	1"	1/2" underside	1"			
Pilot Hole Required						■			

**Notes:**

Pullout tests required (per ANSI/SPRI FX-1 Standard) prior to job bid. Need to determine pullout values and pilot hole size on the following decks: new and existing Concrete, existing Plywood Deck, 24 Ga Steel Deck

<p><b>#12 Sarnafastener</b></p>  <p>#3 Phillips Head</p> 	<p><b>#14 Sarnafastener</b></p>  <p>#3 Phillips Head</p> 	<p><b>#15 Sarnafastener XP</b></p>  <p>#3 Phillips Head</p> 	<p><b>Retrodriller</b></p>  <p>#3 Square Drive Flat Head</p> 	<p><b>Sarnadisc Rhinobond</b></p>   	<p><b>Sikaplan® Eyehook</b></p>   	<p><b>Sarnadisc XPN</b></p>  	<p><b>Sarnaplate</b></p>   
<p><b>Sarnabar</b></p>  	<p><b>Sarnarail</b></p>  	<p><b>Sarnastop</b></p>  					

For up to date and accurate information, please consult the current Product Data Sheet for all Sika products at [www.sika.ca](http://www.sika.ca)