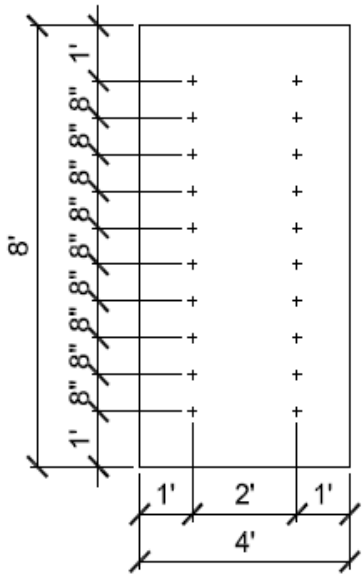


MECHANICAL ATTACHMENT RHINO BOND

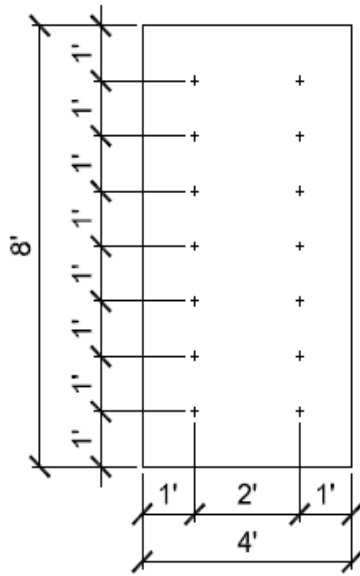
**BUILDING TRUST
CONSTRUIRE LA CONFIANCE**



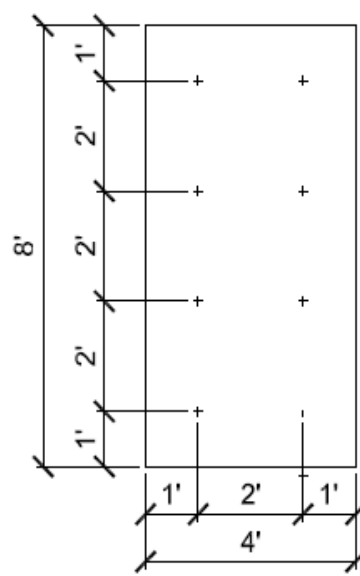
SYSTEM 2 X 2 GRID



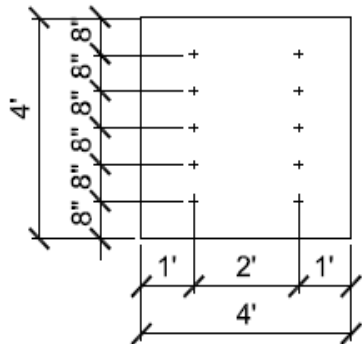
20 per 4' x 8' Board



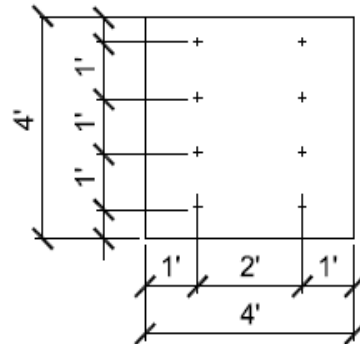
14 per 4' x 8' Board



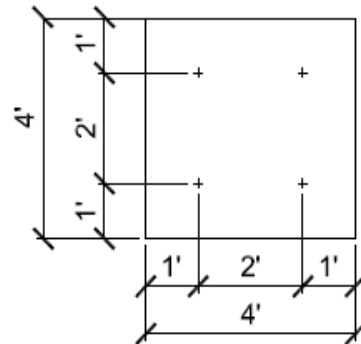
8 per 4' x 8' Board



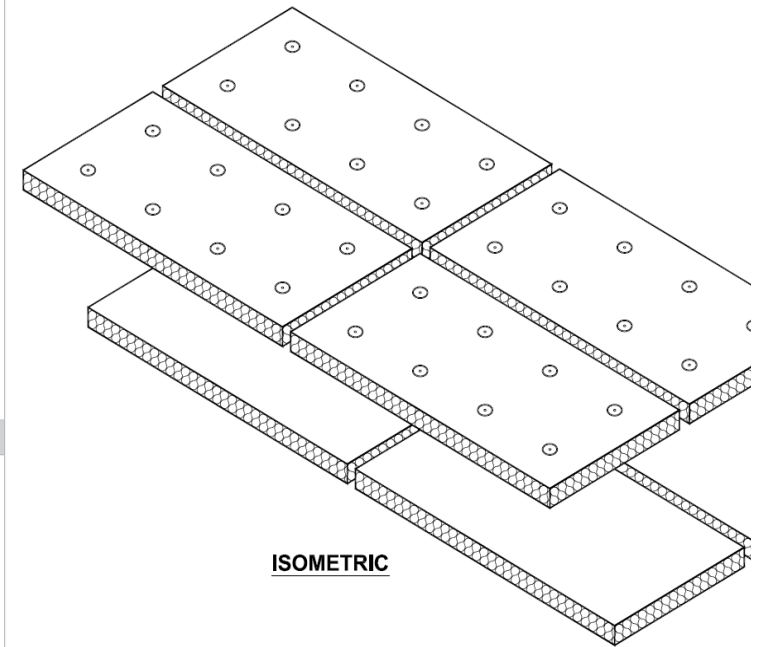
10 per 4' x 8' Board



8 per 4' x 8' Board



4 per 4' x 8' Board



ISOMETRIC

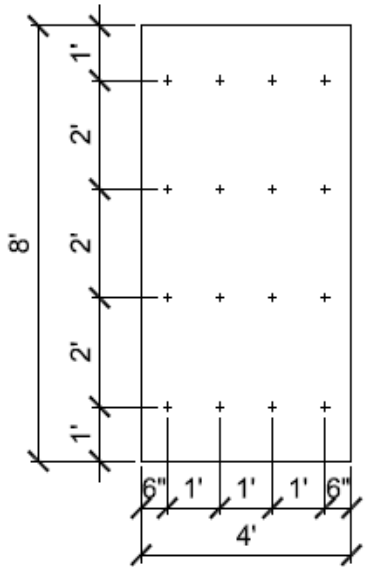
For up to date and accurate information, please consult the current Product Data Sheet for all Sika products at www.sika.ca

MECHANICAL ATTACHMENT RHINO BOND

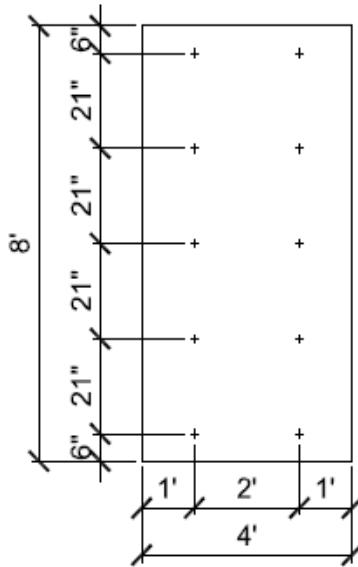
**BUILDING TRUST
CONSTRUIRE LA CONFIANCE**



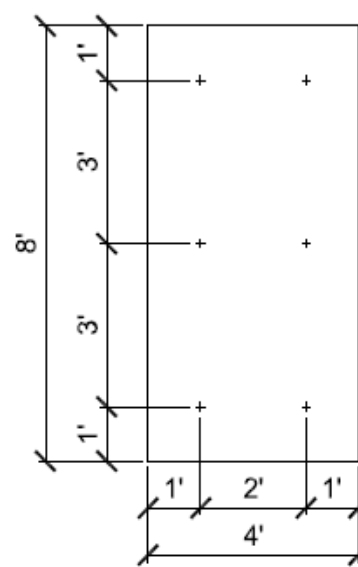
SYSTEM 2 X 3 GRID



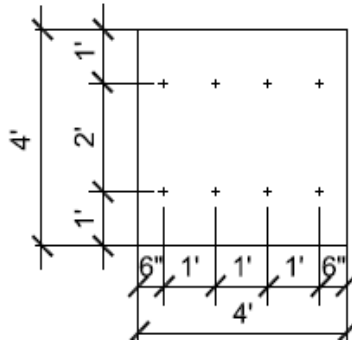
16 per 4'x8' Board



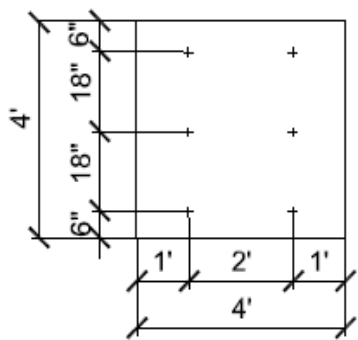
10 per 4'x8' Board



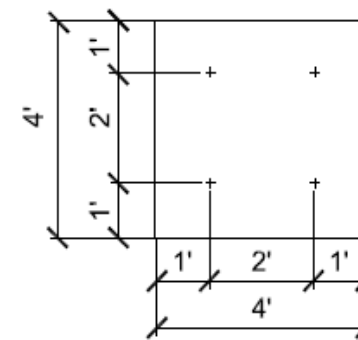
6 per 4'x8' Board



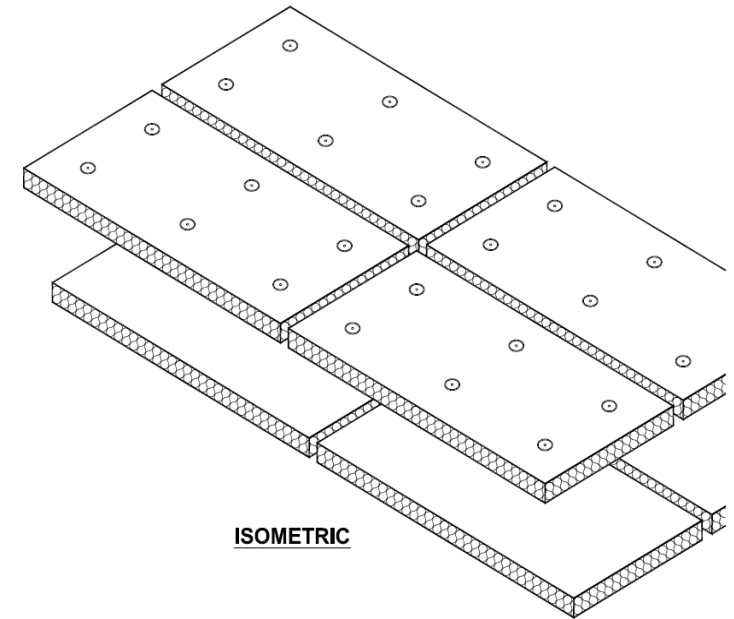
8 per 4'x4' Board



6 per 4'x4' Board



4 per 4'x4' Board



ISOMETRIC

For up to date and accurate information, please consult the current Product Data Sheet for all Sika products at www.sika.ca

SIKA CANADA INC.
Head Office
601, Delmar Avenue, Pointe-Claire, Quebec H9R 4A9
© Sika Canada Inc./05.2019

Other locations
Toronto, Cambridge, Edmonton, Vancouver

1-800-933-SIKA
www.sika.ca

Certified ISO 9001 (CERT-0102780)
Certified ISO 14001 (CERT-0102791)