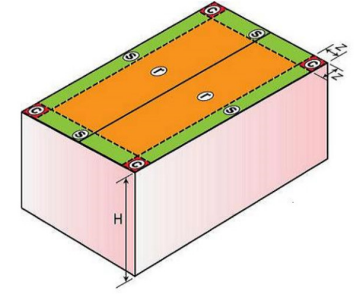
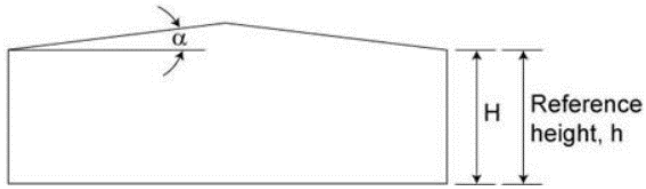


SYSTEM GUIDELINE ROOF ZONES

**BUILDING TRUST
CONSTRUIRE LA CONFIANCE**



Low Slope Gable - $h < 65$ ft, slope: 0 to $< 7^\circ$



Low Slope Stepped Gable - $h < 65$ ft, slope: 0 to $< 7^\circ$

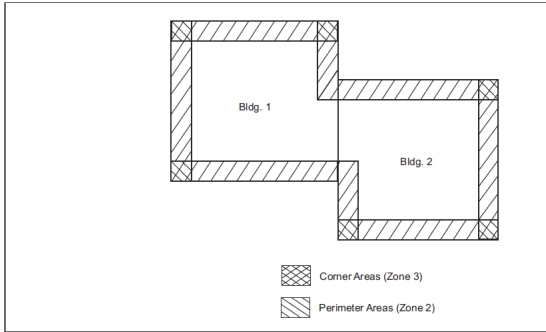


Fig. 2. Height of Building 2 is less than 10 ft (3 m) higher than Building 1

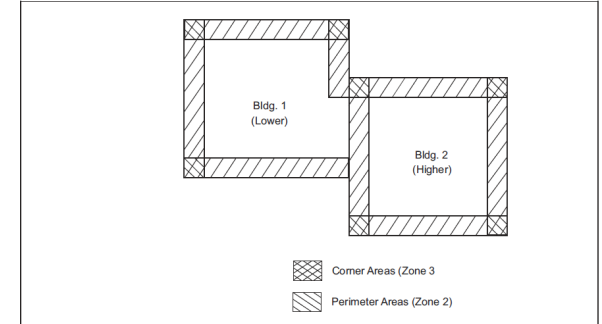
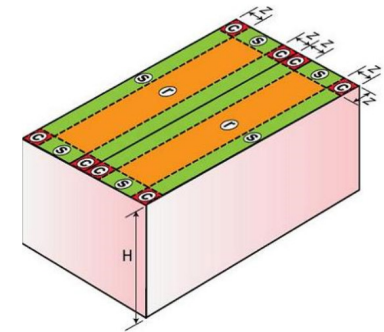
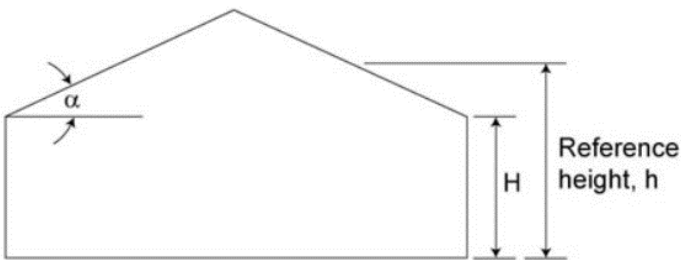


Fig. 1. Height of building 2 is greater than or equal to 10 ft (3 m) higher than Building 1

Gable - $h < 65$ ft, slope: 7 to $< 45^\circ$



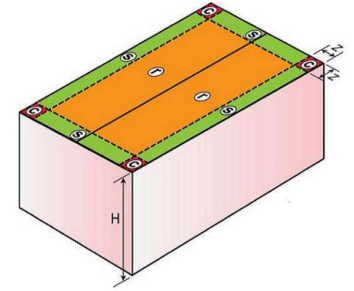
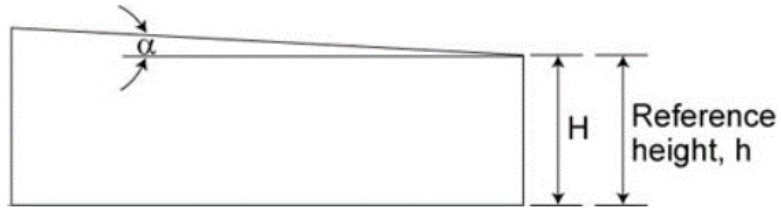
For up to date and accurate information, please consult the current Product Data Sheet for all Sika products at www.sika.ca

SYSTEM GUIDELINE ROOF ZONES

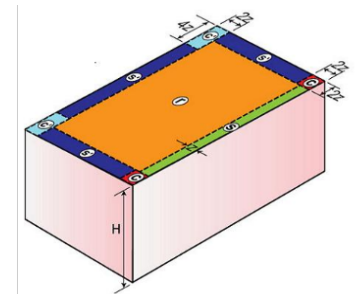
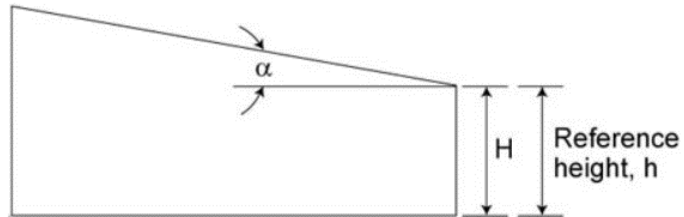
**BUILDING TRUST
CONSTRUIRE LA CONFIANCE**



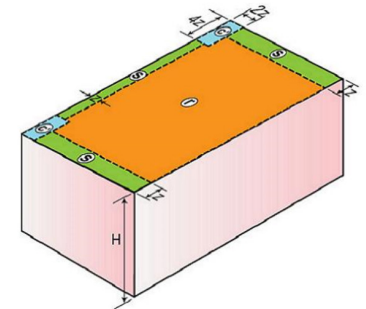
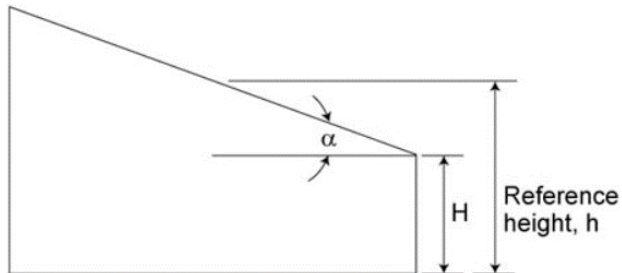
Monoslope - $h < 65$ ft, slope: 0 to $< 3^\circ$



Monoslope - $h < 65$ ft, slope: 3 to $< 10^\circ$



Monoslope - $h < 65$ ft, slope: 10 to $< 30^\circ$



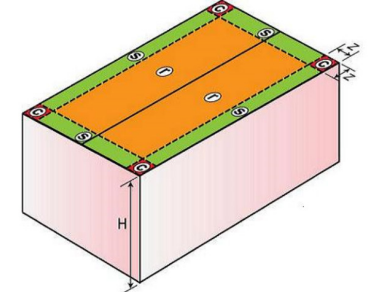
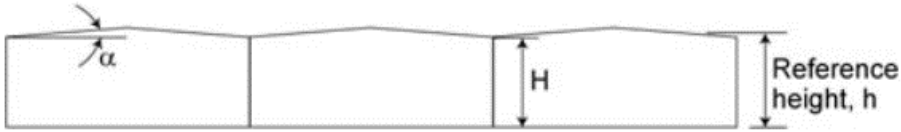
For up to date and accurate information, please consult the current Product Data Sheet for all Sika products at www.sika.ca

SYSTEM GUIDELINE ROOF ZONES

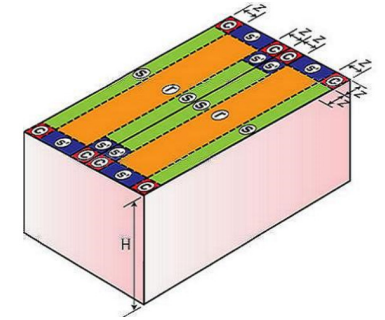
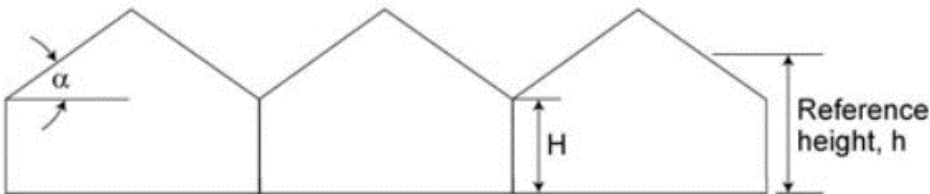
**BUILDING TRUST
CONSTRUIRE LA CONFIANCE**



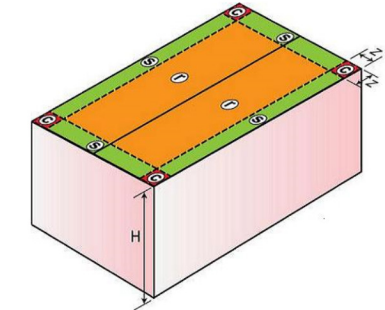
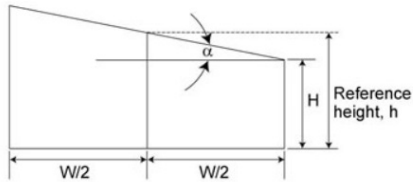
Multispan - $h < 65$ ft, slope: 0 to $< 10^\circ$



Multispan - $h < 65$ ft, slope: 10 to $< 45^\circ$



Sawtooth - $h < 65$ ft, slope: 0 to $< 10^\circ$



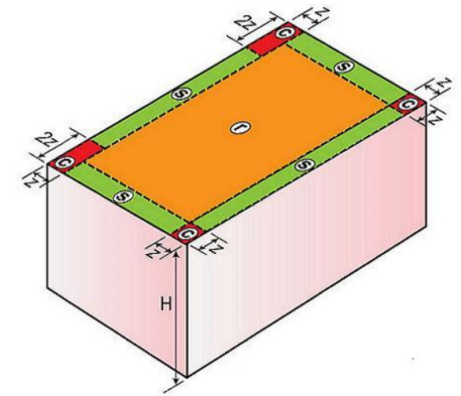
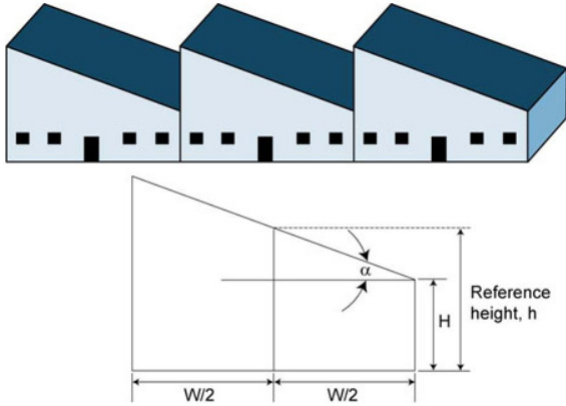
For up to date and accurate information, please consult the current Product Data Sheet for all Sika products at www.sika.ca

SYSTEM GUIDELINE ROOF ZONES

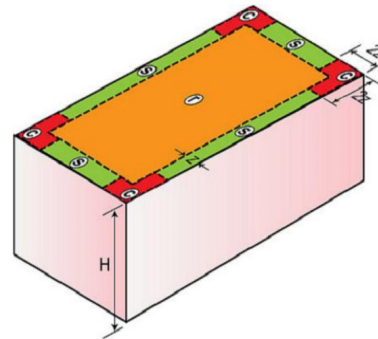
**BUILDING TRUST
CONSTRUIRE LA CONFIANCE**



Sawtooth - $h < 65$ ft, slope: 10 to $< 30^\circ$



Gable Roof - $h > 65$ ft



Notes

- 1) Low Rise Buildings (NBCC < 65 ft.) FM < 60 ft
Z = Lesser of: 40 % of the Roof Height or 10 % of the lessor Building Plan (NOT ROOF) dimension of length or width, but not less than 4 % of the least horizontal dimension or 1 m.
- 2) High Rise Buildings (NBCC > 65 ft.) FM > 60 ft
Z = 10 % of the greater Building Plan (NOT ROOF) dimension of length or width. FM Z=10 % of the lessor Building Plan (NOT ROOF) dimension of length or width.
- 3) If a parapet height of 3 ft is provided around the perimeter of the roof Zone 3 may be treated as Zone 2. Some Restrictions apply
- 4) Sika® Sarnafil® minimum perimeter and corner zone z = 8 ft

For up to date and accurate information, please consult the current Product Data Sheet for all Sika products at www.sika.ca