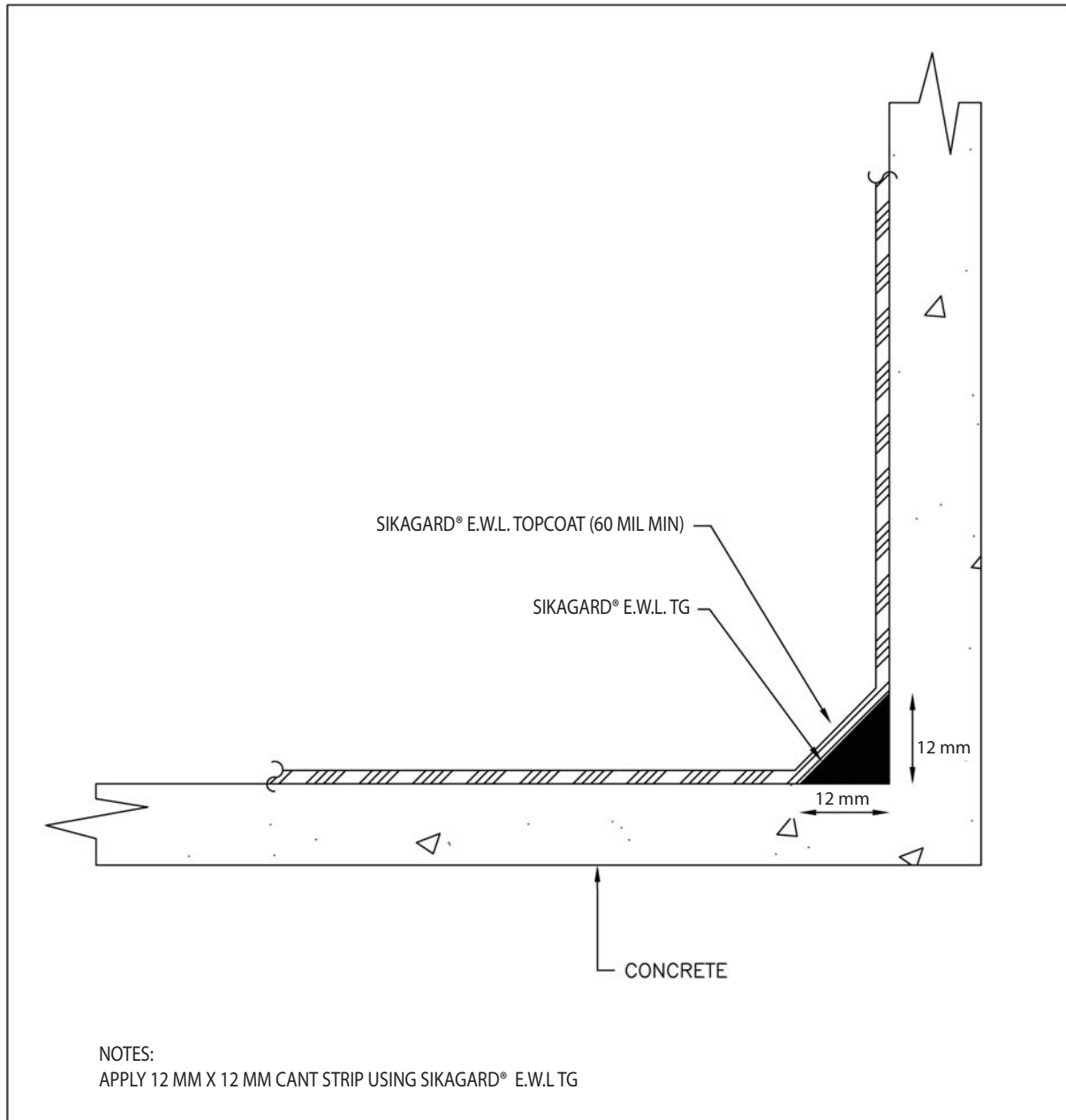
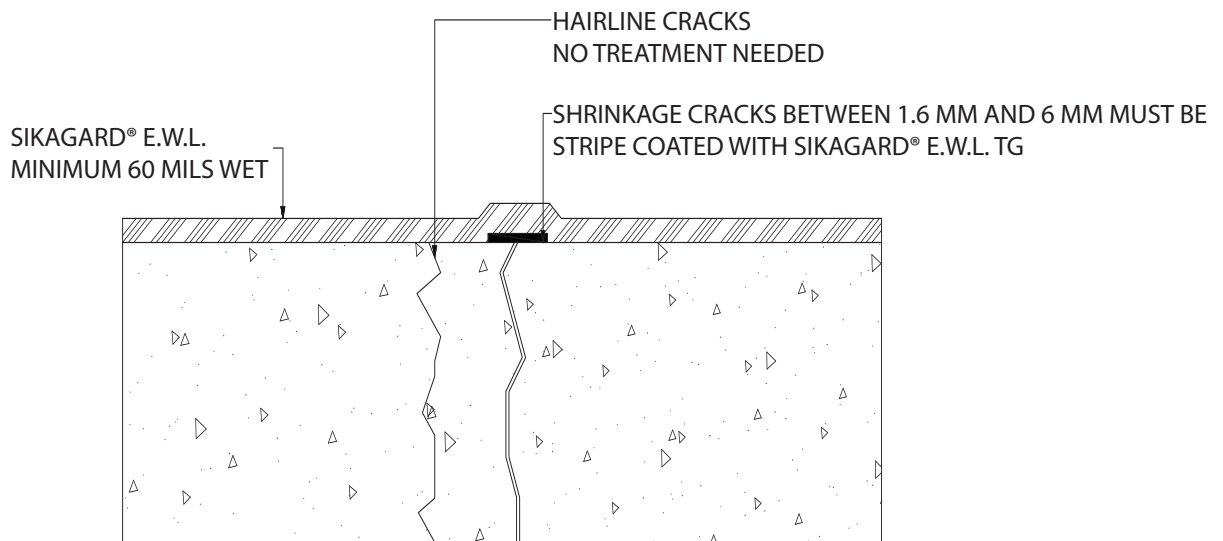


# TYPICAL DETAIL - Sikagard® E.W.L./E.W.L. TG CORNER (NO JOINT)



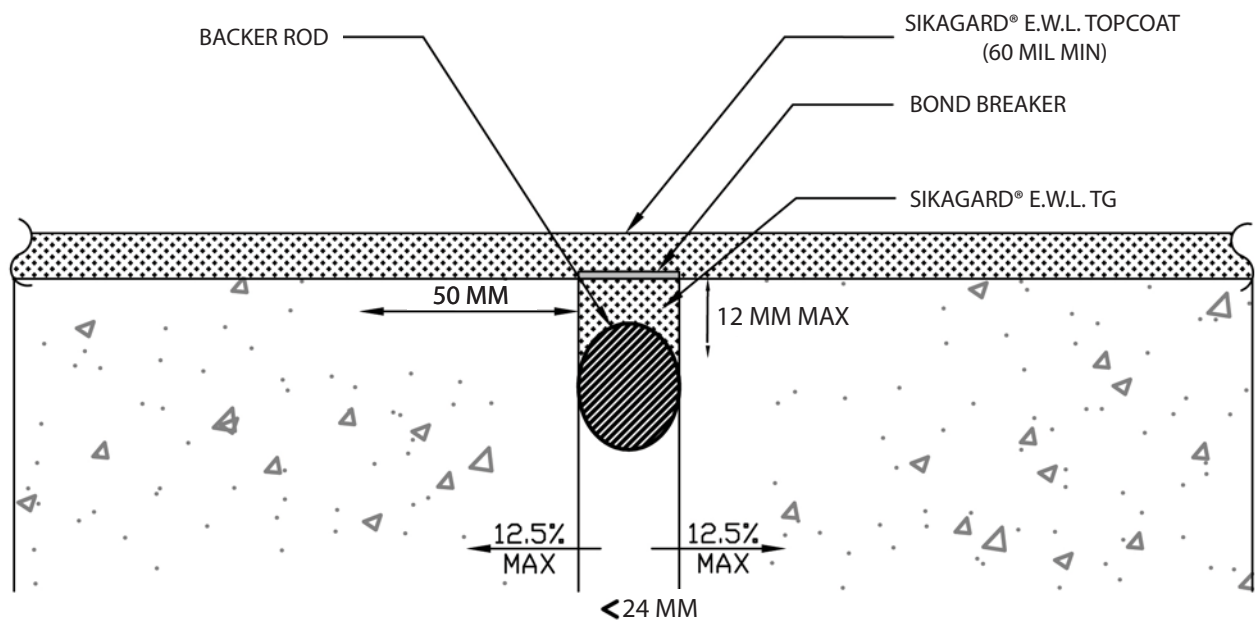
# TYPICAL DETAIL - Sikagard® E.W.L./E.W.L. TG CRACK TREATMENT



NOTES: 1. (OPTIONAL/NOT SHOWN) PRIME CONCRETE WITH SIKA PRIMER

2. CRACKS GREATER THAN 6 MM MUST BE ROUTED OUT AND TREATED LIKE A JOINT

# TYPICAL DETAIL - Sikagard® E.W.L./E.W.L. TG EXPANSION JOINT



## NOTES:

PRIME OPTIONAL (NOT SHOWN).

DETAIL TO ACCOMMODATE MAXIMUM OF 25% TOTAL MOVEMENT.

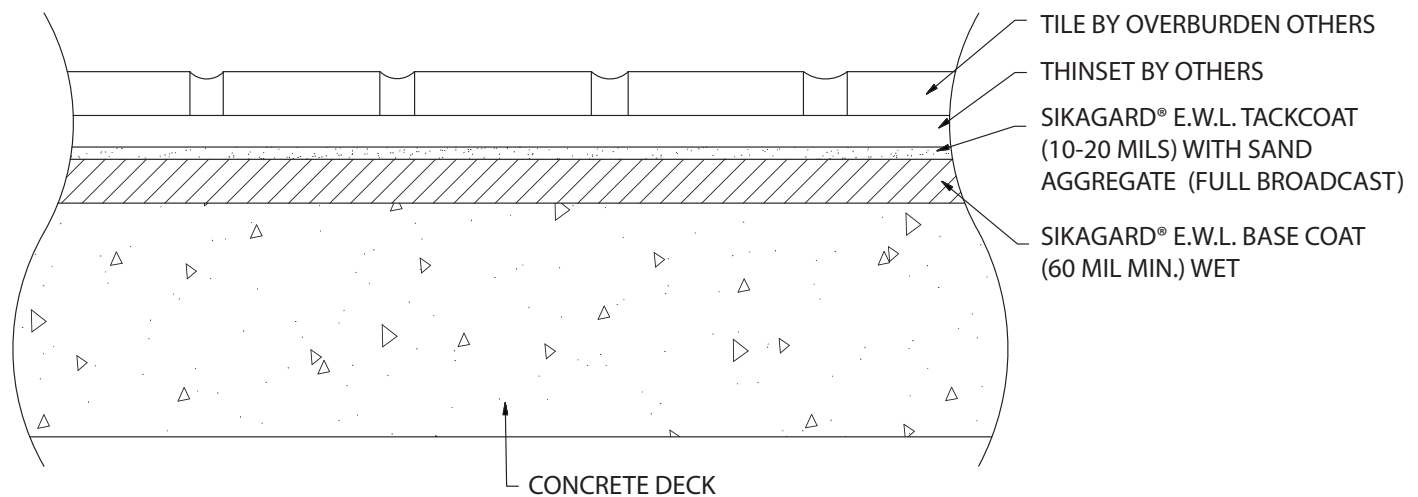
BACKER ROD SHOULD BE PLACED AT A DEPTH OF NO MORE THAN 12 MM DEEP.

APPLY SIKAGARD® E.W.L. IN JOINT. LET CURE A MINIMUM OF 12 HOURS.

APPLY BOND BREAKER TAPE OVER SEALANT.

APPLY SIKAGARD® E.W.L. TOPCOAT OVER TOP BOND BREAKER TAPE AND EXTEND BEYOND JOINT FACES A MINIMUM OF 50 MM.

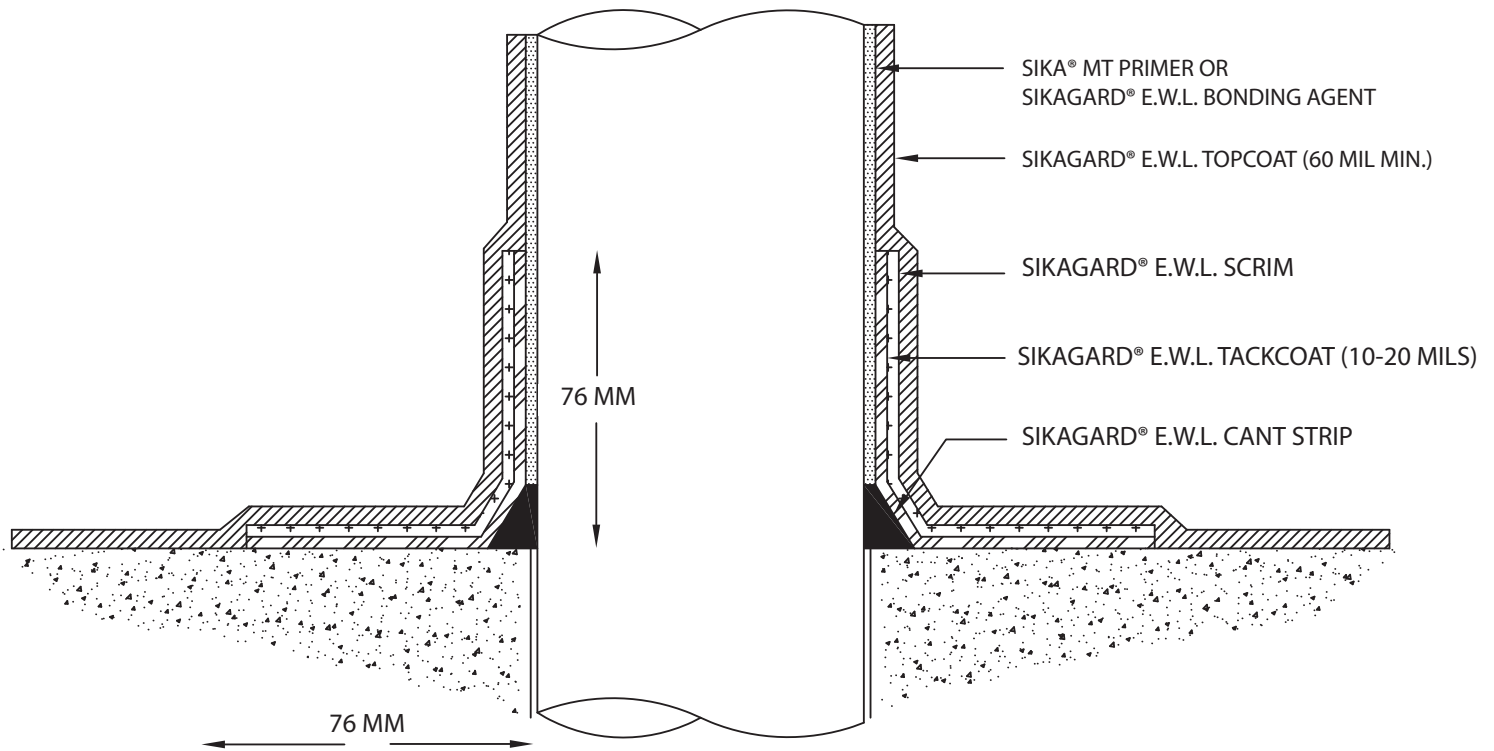
# TYPICAL DETAIL - Sikagard® E.W.L./E.W.L. TG CONCRETE WATERPROOFING WITH TILE OVERBURDEN



NOTES: 1. (OPTIONAL/NOT SHOWN) PRIME CONCRETE WITH SIKA® PRIMER

2. BASE COAT MAY BE APPLIED AT THICKNESS GREATER THAN 60 MILS.  
CONTACT SIKA CANADA FOR DETAILS ON EXTENDED WARRANTIES

# TYPICAL DETAIL - Sikagard® E.W.L./E.W.L. TG PIPE PENETRATION WITH SIKAGARD® E.W.L. SCRIM

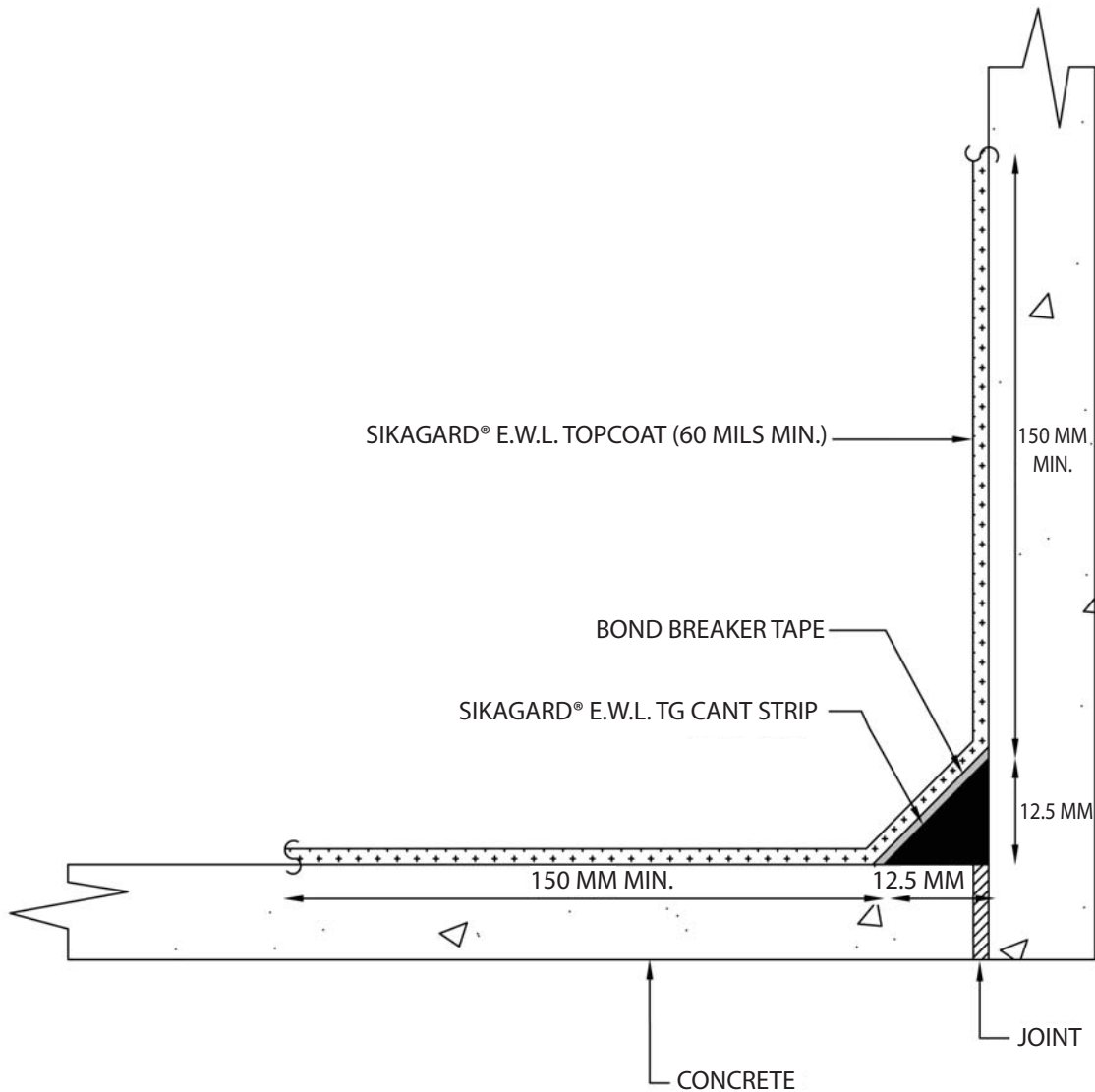


## NOTES:

PRIMER OPTIONAL (NOT SHOWN)

PLEASE REFER TO MANUFACTURER'S INSTRUCTION GUIDES FOR FURTHER INFORMATION.

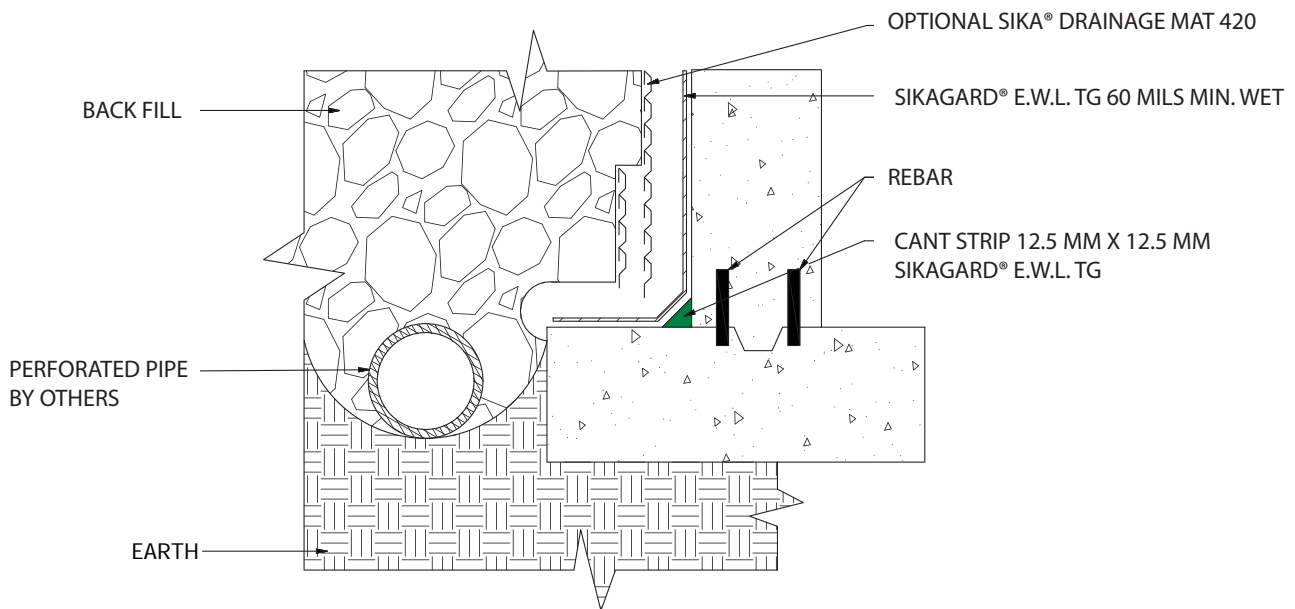
# TYPICAL DETAIL - Sikagard® E.W.L./E.W.L. TG CONSTRUCTION JOINT CORNER



**NOTES:**

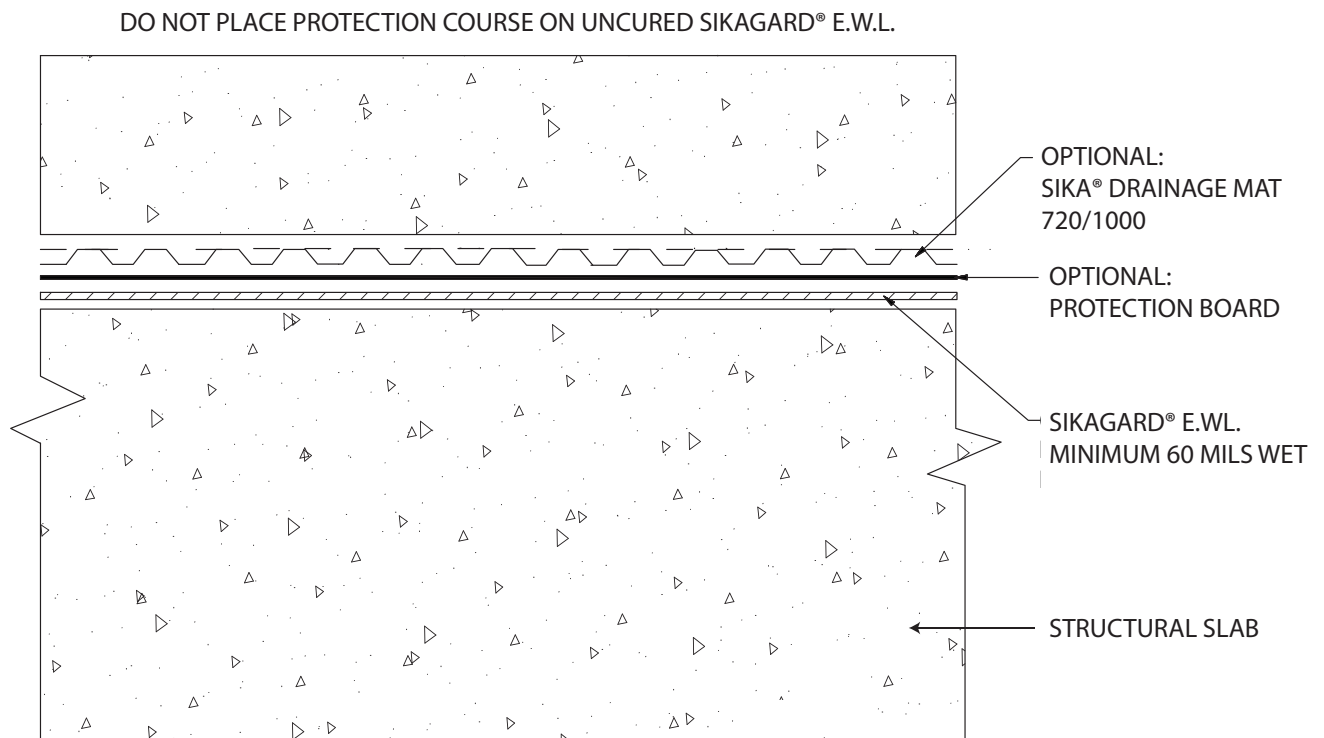
- PRIMER OPTIONAL (NOT SHOWN)
- DETAIL TO ACCOMODATE 25% MOVEMENT.
- APPLY 12.5 MM X 12.5 MM CANT STRIP
- APPLY BOND BREAKER TAPE BEFORE THE APPLICATION OF SIKAGARD® E.W.L.
- A MINIMUM 150 MM UP VERTICAL AND ALONG HORIZONTAL SUBSTRATE.
- REFER TO MANUFACTURES INSTRUCTION GUIDES FOR MORE DETAILED INFORMATION.

# TYPICAL DETAIL - Sikagard® E.W.L./E.W.L. TG BELOW-GRADE FOOTING



- NOTES: 1. (OPTIONAL/NOT SHOWN) PRIME CONCRETE WITH SIKAGARD® MT PRIMER.  
2. MAY BE APPLIED AT THICKNESS GREATER THAN 60 MILS.

# TYPICAL DETAIL - Sikagard® E.W.L./E.W.L. TG SPLIT SLAB



NOTES: 1. (OPTIONAL/NOT SHOWN) PRIME CONCRETE WITH SIKA® MT PRIMER OR SIKALASTIC® 120 FS PRIMER

2. MAY BE APPLIED AT THICKNESS GREATER THAN 60 MILS.