



# ROOFING

## Sikaplan<sup>®</sup> ROOF SYSTEM

PVC PERFORMANCE AT A COMPETITIVE PRICE

**BUILDING TRUST  
CONSTRUIRE LA CONFIANCE**



# A COST COMPETITIVE ROOFING SYSTEM FROM THE LEADER IN THERMOPLASTIC TECHNOLOGY

Sikaplan® Adhered and Mechanically-Attached Roofing Systems are ideally suited for applications that call for a quality, cost effective roofing membrane from a trusted supplier. And who better to trust than the industry leader.

## LEADING THE CHARGE

In 1962, Sika pioneered the use of PVC for roofing applications developing the world's first thermoplastic membrane with billions of square feet sold to date. No one has more knowledge of PVC and thermoplastic roof membranes than Sika. Our Sarnafil roofing and waterproofing membranes are the most trusted PVC sheet for long lasting durability in the industry.

Sarnafil®, the world's first reinforced thermoplastic roof membrane, is introduced.

62

Sikaplan reinforced thermoplastic roof membrane is introduced

77

The first fiberglass, mat-reinforced roofing membrane for adhered applications is developed.

65

The first felt-backed membrane is created.

87

Colored membrane is introduced for the first time ever.

79

The first "post-consumer" recycling program of singly-ply roofing is introduced. Membrane "take-back" program reduces waste to landfill.

05

EnergySmart® roof membrane is introduced with high reflectivity and emissivity to promote energy efficiency.

98



## WITH RELIABILITY COMES PEACE OF MIND

The Sikaplan® membranes boast features such as low maintenance, durability, reflectivity, and watertight performance on roofs of any design, shape or pitch.



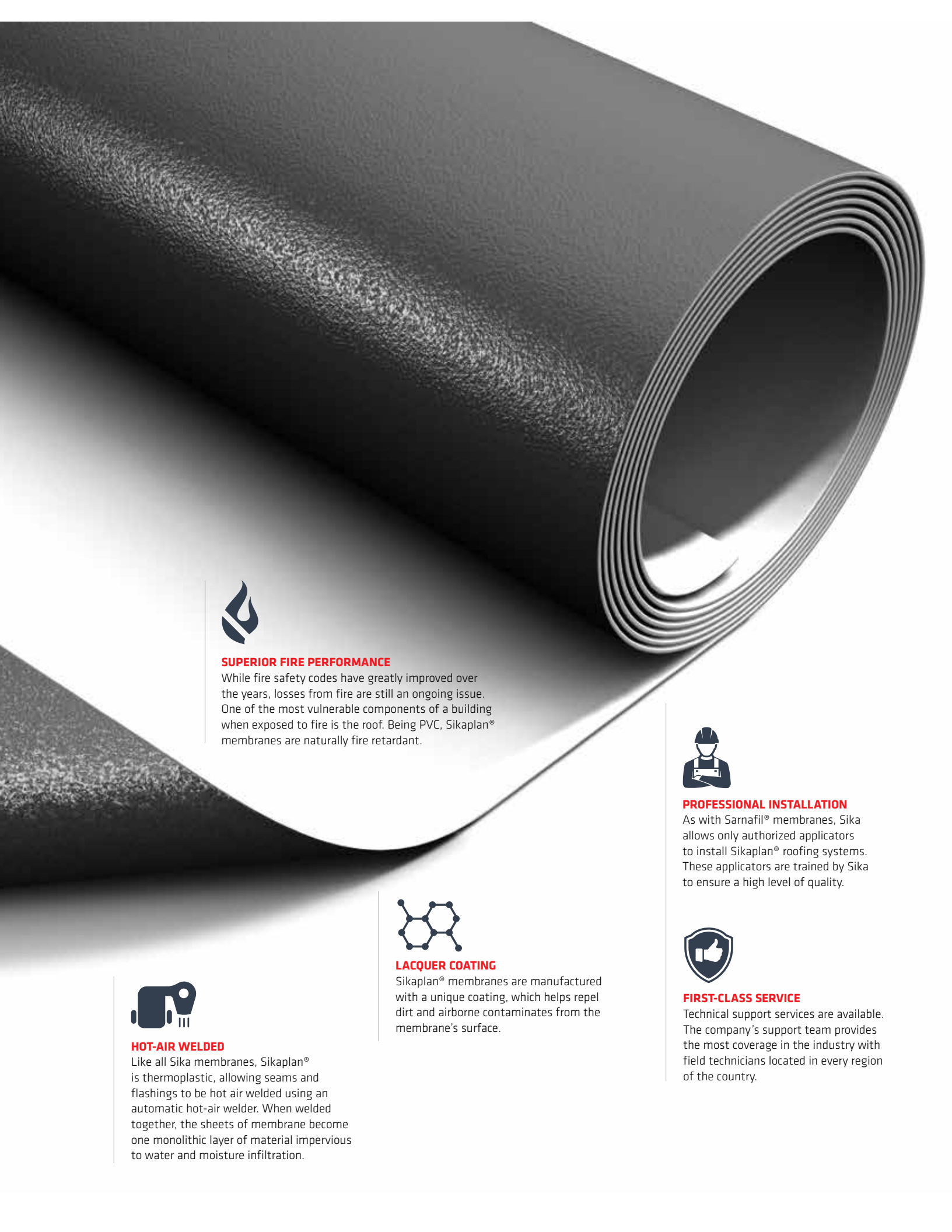
## MEET YOUR SUSTAINABILITY GOALS

The Sikaplan® membranes are available in EnergySmart White, Tan and Reflective Gray, with and without a felt backing. EnergySmart White membranes meet the cool roofing requirements of USGBC's LEED® program, Green Globes® and California Title 24.



## INTERNAL GLASS MAT OR POLYESTER SCRIM REINFORCEMENTS

In keeping with Sika's high standards, an internal glass mat or polyester scrim layer provides superior dimensional stability and/or tear resistance no matter what installation method is used..



#### **SUPERIOR FIRE PERFORMANCE**

While fire safety codes have greatly improved over the years, losses from fire are still an ongoing issue. One of the most vulnerable components of a building when exposed to fire is the roof. Being PVC, Sikaplan® membranes are naturally fire retardant.



#### **PROFESSIONAL INSTALLATION**

As with Sarnafil® membranes, Sika allows only authorized applicators to install Sikaplan® roofing systems. These applicators are trained by Sika to ensure a high level of quality.



#### **LACQUER COATING**

Sikaplan® membranes are manufactured with a unique coating, which helps repel dirt and airborne contaminants from the membrane's surface.



#### **HOT-AIR WELDED**

Like all Sika membranes, Sikaplan® is thermoplastic, allowing seams and flashings to be hot air welded using an automatic hot-air welder. When welded together, the sheets of membrane become one monolithic layer of material impervious to water and moisture infiltration.



#### **FIRST-CLASS SERVICE**

Technical support services are available. The company's support team provides the most coverage in the industry with field technicians located in every region of the country.



# BENEFIT FROM PVC PERFORMANCE AT A TPO PRICE

From retail facilities to warehouses, Sikaplan® roofing systems have been providing reliable protection to facilities around the world for over 30 years.

## SIKAPLAN® ADHERED

The Sikaplan® Adhered System is a single-ply PVC roofing membrane designed for low-slope roofing applications. The membrane has an internal glass mat reinforcement to provide the best dimensional stability and a low coefficient of thermal expansion and contraction to extend the service life of the roof.

When used in combination with Sikaplan® Single-Step Membrane Adhesive, it is in many cases as cost effective as adhered TPO due to improved adhesive coverage rates and the one-step application versus TPO's two-steps. This environmentally preferable emulsion adhesive also lowers costs by minimizing material usage through the use of recommended application methods and by facilitating faster applications.

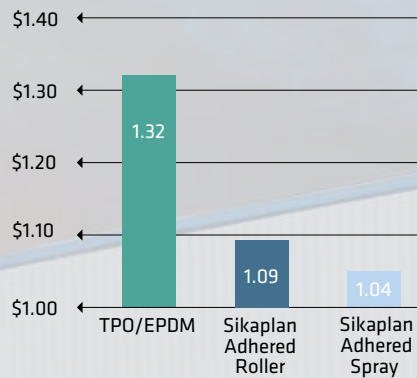
## SIKAPLAN® FASTENED

The Sikaplan® Mechanically-Attached System is a single-ply PVC roofing membrane designed for low-slope roofing applications. The membrane has an internal polyester scrim reinforcement to provide the tear resistance required for mechanically-attached roof systems.

## PVC OUTPERFORMS THE OTHERS TIME AFTER TIME

TPO membranes have not experienced the same performance success as PVC and have had a number of failures since being introduced. EPDM seams are glued or taped rather than heat-welded; this seaming method breaks down over time compromising the water tightness. Sikaplan®'s proven track record of successful installations spans more than 30 years. Why settle for a less reliable product on your building?

## Installed Membrane Cost Comparison\* Per Square Foot



\* Based on "Sikaplan Adhered Comparison Tool"



## SIKAPLAN® PRODUCT SPECIFICATIONS

	SYSTEM TYPE	
	Mechanically-Attached and RhinoBond®	Adhered
<b>Color</b>	EnergySmart White, Tan and Reflective Gray	EnergySmart White, Tan and Reflective Gray
<b>Thickness</b>	Available in 60 mil for bareback and feltback membranes*	Available in 60 mil for bareback and feltback membranes*
<b>Reflectivity</b>	0.85**	0.85**
<b>Emissivity</b>	0.89**	0.89**
<b>SRI</b>	107**	107**
<b>Roll Size 60 mil</b>	1.5 m x 30 m (5 ft x 100 ft) and 3 m x 30 m (10 ft x 100 ft)***	

Please consult the Product Data Sheet prior to any use and processing. Our most current General Sales Conditions shall apply.

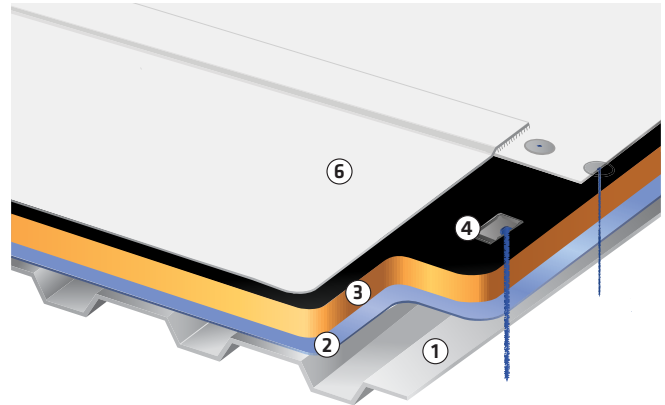
\*Contact your local Sika roofing representative for up to date product offering

\*\*Based on EnergySmart White

\*\*\* Feltback only available in 3 m (10 ft) wide

### ILLUSTRATION KEY

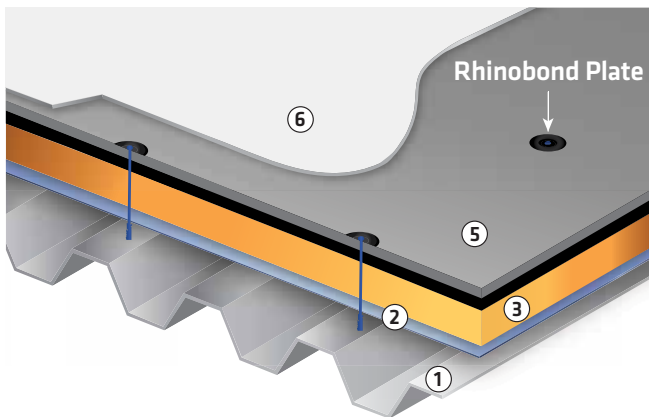
- ① Structural Deck
- ② Vapor Retarder (If Required)
- ③ Insulation
- ④ Insulation Fastener
- ⑤ Gypsum Roof Board (If Required)
- ⑥ Sikaplan® Fastened Membrane
- ⑦ Sikaplan® Adhered Membrane



### SIKAPLAN® MECHANICALLY-ATTACHED SYSTEM

This mechanically-attached system is your best choice when speed and ease of installation are important. It features metal plates fastened in the membrane overlap and spaced according to the roof's wind uplift requirements. It is designed to meet wind conditions on most building types.

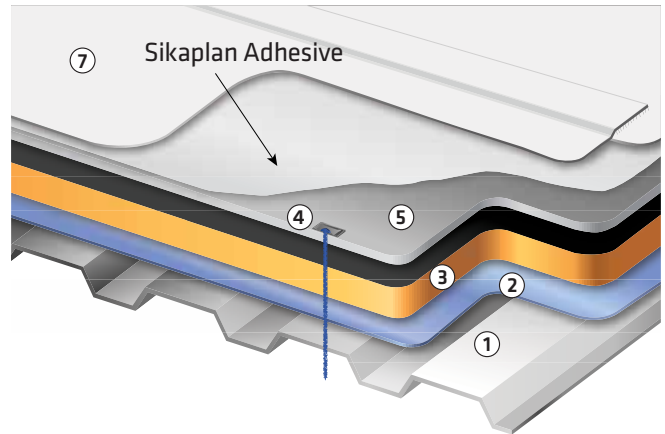
## SPECIALTY SYSTEM



### RHINO BOND ROOF SYSTEM

This innovative attachment system is used with Sikaplan® membranes to increase contractor productivity and enhance roof wind uplift resistance. It uses electromagnetic induction welding to eliminate fastener penetrations through the membrane. Specially coated membrane plates are fastened to the roof assembly and later fused to the underside of the membrane using the RhinoBond tool, which is lightweight, portable, and simple to use. The system achieves an FM I-90 rating in the field while requiring 30 percent fewer fasteners per square than traditional systems.

## ADHERED



### SIKAPLAN® ADHERED SYSTEM

The Sikaplan® Adhered roof system is best for low sloped applications over nonailable substrates such as precast or prestressed concrete, cementitious wood fiber or gypsum. It is also effective over nailable substrates such as concrete, steel and wood decks. When used in combination with Sikaplan® Single-Step Membrane Adhesive, it can be more cost effective to install than an adhered TPO system.





# EASY ON THE EARTH AND THE POCKET

Along with protection from the elements, Sikaplan® systems also have sustainability features such as energy efficiency, recyclability and minimal maintenance. These features help building owners generate a positive Return On Investment while meeting their sustainability goals and protecting the earth's natural resources.

According to U.S. Department of Energy estimates, replacing dark colored roofs with light colored, reflective roofs could result in energy savings of about \$750 million per year in the United States<sup>1</sup>.

The Sikaplan® system has a successful track record of more than thirty years protecting buildings throughout the world. So if you're looking for the high performance of a PVC system at a competitive price, look to the trusted industry leader – Sika.



- Sikaplan® roofing and waterproofing systems help building owners achieve LEED and Green Globes certification.
- Sika has been certified as compliant with strict management standards established by ISO 14001: 2004, a leading independent organization developing standards relating to environment, health and safety, and security.
- The Sika roofing production facility has completed the Supplier Ethical Data Exchange Members Ethical Trade Audit that focuses on labor standards, health and safety, environment and business practice.

**TO LEARN MORE ABOUT SIKAPLAN®, PLEASE CALL 800-933-7452, OR VISIT [WWW.SIKA.CA](http://WWW.SIKA.CA)**



<sup>1</sup> Lawrence Berkeley National Laboratory, *Potential Benefits of Cool Roofs on Commercial Buildings*, March 2009

# WHY CHOOSE TPO WHEN THERE'S SIKAPLAN®?

## TPO IS:

- Unproven:** 20+ years later and TPO manufacturers still continue to modify their formulations to try and achieve the required level of performance
- Risky:** with TPO's poor performance track record (especially in hot climates and high UV conditions) your reputation could be negatively impacted
- Guess Work:** lack of visual "bleed out" during seam welding and the need to wait 30 minutes to probe the seam makes quality control challenging
- Unreliable:** aged membrane surface can be difficult to re-weld and/or patch
- Problematic:** membrane expansion and contraction makes using slow-drying adhesives on bareback membranes very challenging
- Challenging:** need to seal all cut edges (including factory cut edges) and install t-joint patches on 60 mil or thicker (versus 72 mil or thicker with PVC)
- Unattractive:** automatic welder "tracking" issues can cause sheet wrinkling
- Stiff:** makes sheet handling more difficult, especially in cold weather or with thick membranes
- Slow:** sheet needs to "relax" before adhering

## THE COMPANY AT A GLANCE

Sika is a specialty chemicals company with a leading position in the development and production of systems and products for bonding, sealing, damping, reinforcing and protecting in the building and industrial sectors.

**Sika Canada** is a fully-owned subsidiary of the Sika Group. Headquartered in the province of Quebec since 1957, Sika Canada's installations in Pointe-Claire (near Montreal) regroup the R & D, sales, administration, marketing, production activities and the main distribution centre of the company. With regional offices and production facilities located in Ontario, Alberta and British-Columbia, Sika employs over 230 people across the country.



ENERGY STAR® for roofing products is only valid in the United States.  
ENERGY STAR® is a trademark of the U.S. EPA.  
LEED® is a trademark of the U.S. Green Building Council.  
Green Globes® is a trademark of the Green Building Initiative.

The information, and in particular, the recommendations relating to the application and end-use of Sika products, are given in good faith based on Sika's current knowledge and experience of the products when properly stored, handled and applied under normal conditions, within their shelf life. In practice, the differences in materials, substrates and actual site conditions are such that no warranty in respect of merchantability or of fitness for a particular purpose, nor any liability arising out of any legal relationship whatsoever, can be inferred either from this information, or from any recommendations, or from any other advice offered. The proprietary rights of third parties must be observed. All orders are accepted subject to our current terms of sale and delivery. Users should always refer to the most recent issue of the Product Data Sheet for the product concerned, copies of which will be supplied on request or can be accessed in the Internet under [www.sika.ca](http://www.sika.ca).

## SIKA CANADA INC.

**Head Office**  
601, avenue Delmar  
Pointe-Claire, Quebec  
H9R 4A9

## Other locations

Toronto  
Edmonton  
Vancouver

**1-800-933-SIKA**  
**[www.sika.ca](http://www.sika.ca)**

Certified ISO 9001 (CERT-0102780)  
Certified ISO 14001 (CERT-0102791)

## SIKAPLAN® IS:

- Proven:** over 30 years of performance history from Sika, the company with more PVC experience than anyone
- Cost-Effective:** a PVC membrane at a TPO Price
- Trustworthy:** manufactured by Sika, the creators of Sarnafil and the world leader in producing thermoplastic roof membranes
- Selective:** Sika Roofing sells direct to authorized and trained contractors to ensure a top quality roof system
- Less Risk:** distinct "bleed out" during seam welding and the ability to probe the seam immediately makes quality control easier
- Watertight:** no cut edge sealing needed and only requires t-joint patches on 72 mil membrane or thicker
- Dependable:** dimensionally stable with excellent adhesive bonding
- Easy:** no issues patching aged membrane
- Safe:** superior fire resistance for the safety of your customers
- Flexible:** makes detailing easy, even in cold weather
- Fast:** sheet does not need to "relax" before adhering
- Attractive:** no automatic welder "tracking" issues causing sheet wrinkling
- Sustainable:** Sikaplan® membranes can be recycled at the end of their service life

## SIKAPLAN® WARRANTY OPTIONS

A variety of warranty options are available, including 5, 10, 15, and 20 year durations for full system or membrane only.

## SERVING YOUR NEEDS WORLDWIDE FROM ROOF TO FOUNDATIONS



Roofing



Flooring



Sealing and Bonding



Refurbishment



Waterproofing

Sika Canada can assist you with your construction needs "From Roof to Foundations". Call 1-800-933-7452 to learn more about our complete building system solutions.

**BUILDING TRUST**  
**CONSTRUIRE LA CONFIANCE**

