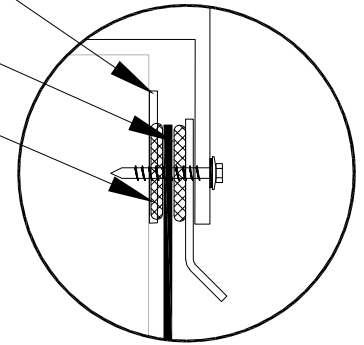


RUBAN D'ALUMINIUM AUTO-ADHÉSIF

SIKAFLEX-1A APPLIQUÉ À L'ARRIÈRE DE LA BANDE D'EXTENSION

SIKALASTOMER®-65 OU SIKAFLEX®-1A APPLIQUÉ À L'ENDOS DE LA MEMBRANE



DÉTAIL - SOLIN DE RELEVÉ NON-AMOVIBLE

UNITÉ MÉCANIQUE

VIS ET RONDELLES @ 12" C/C.

BANDE D'EXTENSION MÉTALLIQUE SI REQUIS

SOLIN (MEMBRANE) SARNAFIL\SIKAPLAN ADHÉRE AU SUBSTRAT APPROUVÉ

SÉCURISATION (FIXATION) SPÉCIFIÉE PAR SIKA SARNAFIL

JOINT THERMOUSOUDÉ À AIR-CHAUDE

MEMBRANE PVC SARNAFIL OU SIKAPLAN

PONTAGE D'ACIER

PANNEAU DE SUPPORT (TEL QUE REQUIS)

ISOLANT FIXÉ/SÉCURISÉ (TEL QUE REQUIS)

PARE-VAPEUR (TEL QUE REQUIS)

8" MIN.
MIN 2"

NOTES:

- 1) LA BANDE D'EXTENSION MÉTALLIQUE EST REQUISE SI LE CONTRE-SOLIN EXISTANT EST CONTAMINÉ ET/OU LE FASCIA DU CONTRE-SOLIN EST MOINS DE 4" DE LARGE, FIXÉ À 12" C.C. AVEC VIS ET RODELLES
- 2) LES CONTRE-SOLINS DOIVENT ÊTRE INSTALLÉS CONFORMÉMENT AUX DOCUMENTS DU CONCEPTEUR DE PROJET, AU CODE NATIONAL DU BÂTIMENT OU RÉGLEMENTS LOCAUX EXIGÉS OU AUX EXIGENCES DE COMPAGNIES D'ASSURANCE, SELON LES PLUS STRICTES DES EXIGENCES.

BUILDING TRUST
800-933-7452



can.sika.com

DETAIL NAME:

SOLIN DE RELEVÉ

SCALE:

N.T.S.

DATE:

03/22

DETAIL NO.:

CAN 5-1_FR

AS A MANUFACTURER OF CONSTRUCTION PRODUCTS, SIKA CANADA INC. (SIKA) PROVIDES GENERIC DETAILS AS A GENERAL GUIDE FOR INFORMATION PURPOSES ONLY. SIKA MAY REVIEW DETAILS PREPARED BY THE CONSULTANT, ARCHITECT, ENGINEER AND/OR DESIGN PROFESSIONAL FOR A PROJECT SOLELY FOR THE PURPOSE OF DETERMINING IF A SIKA WARRANTY MAY BE ISSUED FOR THE PROJECT. THE GENERIC DETAILS AND/OR REVIEW OF DETAILS ARE NOT CONSTRUED AS APPROVAL OF DETAILS BY SIKA AND IS NOT BEING CONDUCTED IN LIEU OF SOUND CONSULTANT, ARCHITECT, ENGINEER AND/OR DESIGN PROFESSIONAL PRACTICES AND JUDGEMENT AND SHOULD NOT BE RELIED UPON FOR THAT PURPOSE. SIKA ASSUMES NO LIABILITY WITH RESPECT TO THE DESIGN OF THE ROOFING SYSTEM. THE CONSULTANT, ARCHITECT, ENGINEER AND/OR DESIGN PROFESSIONAL FOR A PARTICULAR PROJECT BEARS THE SOLE RESPONSIBILITY FOR THE DESIGN OF ITS SYSTEM. FOR THE PREPARATION AND APPROVAL OF THE PROJECT SPECIFICATIONS, DETAILS, SHOP DRAWINGS AND FOR DETERMINING THEIR SUITABILITY FOR A PARTICULAR PROJECT OR APPLICATION. WHILE SIKA PROVIDES GENERAL INSTRUCTION FOR THE INSTALLATION OF ITS MATERIALS, AS WELL AS TRAINING FOR SIKA AUTHORISED APPLICATORS, THE MEANS AND METHODS USED BY THE CONTRACTOR FOR MATERIAL STORAGE, SUBSTRATE EVALUATION, SURFACE PREPARATION, AND THE INSTALLATION OF BOTH SIKA AND NON SIKA MATERIALS ARE THE RESPONSIBILITY OF THE CONTRACTOR. THE CONTRACTOR MUST ALWAYS READ AND FOLLOW THE WARNINGS AND INSTRUCTIONS OF SIKA PRODUCT LABELS, TECHNICAL DATA SHEETS, AND MATERIAL SAFETY DATA SHEETS. ALL SALE OF SIKA PRODUCTS AND SERVICES ARE SUBJECT TO SIKA'S TERMS AND CONDITIONS OF SALE AVAILABLE AT WWW.CAN.SIKA.COM.