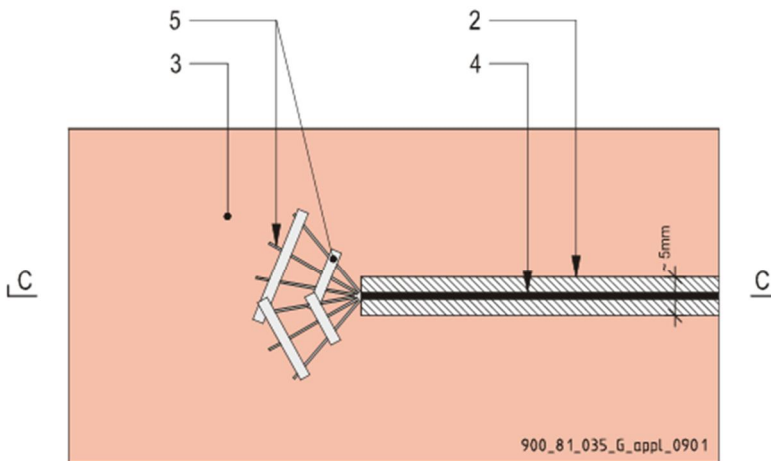


DETAIL

Sikafloor® - Conductive Coatings

Detailing of placing of an earthing wire within the area (ECF / ESD floors)

9= Ground plan until step 6



1. Concrete construction
2. Groove for the isolated wire
3. Sikafloor®-156/1610, priming of the whole area and the cut-out
4. Isolated wire
5. Fan out isolated wire fixed with copper tape
6. Filling the groove and around the isolated wire with an epoxy mortar (The connection of the point to the mains has to be executed by a licensed electrical engineer)
7. Sikafloor®-220 W Conductive, conductive layer
8. Application of Sikafloor® conductive coating onto the whole area incl. cut-out
9. Ground plan /view; showing the execution until step 6

C - C

