



SIKA WINDOW SYSTEMS

BURGLAR RESISTANT WINDOWS

BUILDING TRUST





CONTENT

04 SAFETY CALLS FOR STRUCTURAL BONDING

06 SIKA HAS THE OPTIMAL SOLUTIONS

07 Sikasil® WT-66 PowerCure

08 TECHNOLOGY COMPARISON

11 OUR PERFORMANCE – YOUR BENEFITS

SAFETY CALLS FOR STRUCTURAL WINDOW BONDING

BONDING IS THE OPTIMAL TECHNOLOGY for a durable and safe connection of glass to the frame. Processes can be included easily and cost efficiently in the window production both in

the factory and onsite. Sika offers tested and approved solutions from manual to fully-automated series production.



SAFE TO THE HIGHEST STANDARDS

Burglary proof systems

PROVEN SOLUTIONS

Tested and certified

FAST AND MOBILE APPLICATION AVAILABLE

with Sika PowerCure dispenser

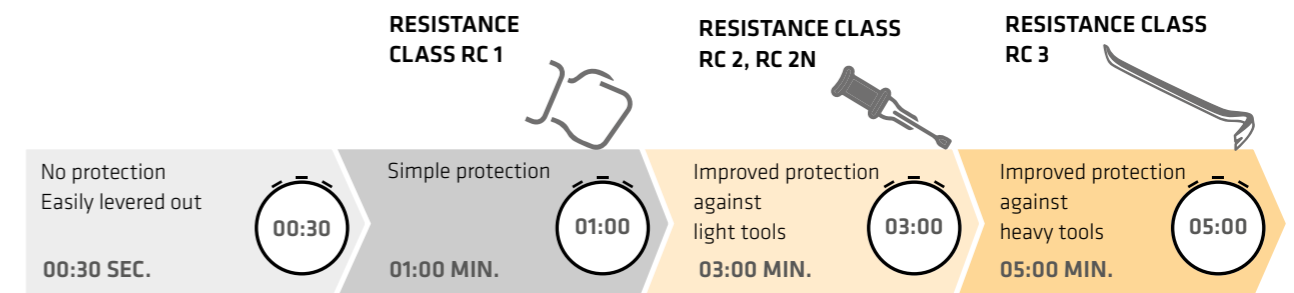
SIKA OFFERS PROVEN SOLUTIONS

Which are tested and certified

CERTIFICATES OF APPROVED SYSTEMS are required to ensure burglary proof windows. Sika maintains a close exchange with window profile system providers and hardware manufacturers. The results of this cooperation are the many

certificates that prove the performance of Sika adhesives in real-life application tests.

Visit www.sika.com/windows for further information.



BONDING IS MANDATORY



BURGLARY PROTECTION COMPLYING WITH EN 1627 REQUESTS:

- Resistant components
- Robust frame construction
- Laminated safety glass (for RC 2, RC 3)
- Safety hardware
- Lockable handle

STRONG CONNECTIONS:

- Bond of glass to frame (RC 2N, RC 2, RC3)
- Professional window installation

SIKA HAS THE OPTIMAL SOLUTION

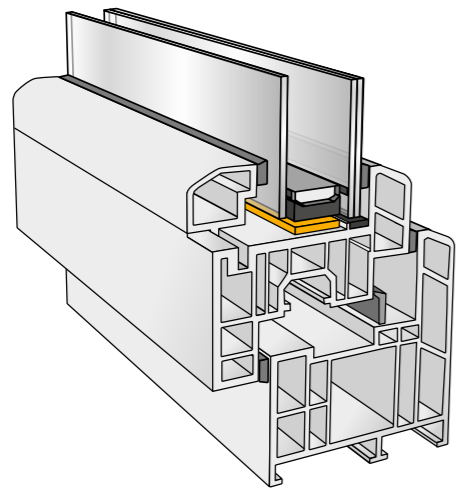
Safety first – Burglary Proof Systems

SIKA'S SILICONE TECHNOLOGY is the reliable base for Sika's window adhesives: glass edge, rebate and overlap bonding. Sikasil® WT silicone adhesives are extremely weathering resistant, adhere well to many frame materials with minimal pre-treatment. Furthermore Sikasil® WT products are tested and approved for

compatibility with the most important insulating glass sealants on the market. Tests have been performed according to EN 1627 and the high requirements of resistance class RC 3.

For more information ask your local Sika representative or visit: www.sika.com/windows

BONDING TECHNOLOGY – REBATE

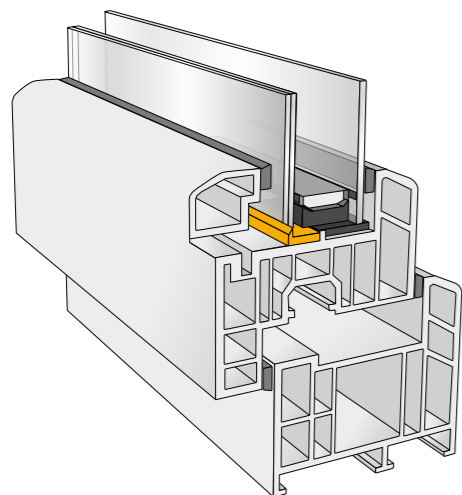


REQUIREMENTS AND ADVANTAGES

The adhesive is applied between the window profile and the insulating glass unit on the rebate. Adhesion and compatibility between insulating glass sealant and adhesive must be given.

- For automated or manual application of the adhesive
- Safety glass pane is oriented to the outside.
- Focus on fast and complete curing, therefore 2-component Sikasil® WT-480 or Sikasil® WT-66 PowerCure is strongly recommended and approved for burglar resistant windows.

BONDING TECHNOLOGY – GLASS EDGE



REQUIREMENTS AND ADVANTAGES

The adhesive is applied between the window profile and the insulating glass unit on the glass edge. Compatibility between insulating glass sealant and adhesive must be given.

- For automated or manual application of the adhesive
- Safety glass pane is oriented to the inside.
- Focus on fast and complete curing, therefore 2-component Sikasil® WT-480 or Sikasil® WT-66 PowerCure is recommended and approved for burglar resistant windows.

Sikasil® WT-66 PowerCure

Flexible, Precise and Efficient

THE PowerCure DISPENSING and packaging platform combines the ease of use of a 1-component adhesive application with the benefits of a 2-component adhesive application. The PowerCure system is as powerful and reliable as industrial pump and dispensing systems. Sikasil® WT-66 PowerCure consists of a moisture-curing 1-component adhesive that

is accelerated by booster paste and allows for full cure without the influence of humidity. Sikasil® WT-66 PowerCure is therefore particularly suitable for glass bonding in window construction, especially for burglar resistance windows where the insulating glass is firmly bonded to the frame in a narrow, closed space e.g. rebate bonding.

PowerCure, SIKA'S AWARD-WINNING DISPENSING AND ADHESIVE TECHNOLOGY BRINGS SEVERAL BENEFITS.



READY FASTER

Charge the dispenser in only 10 seconds.



MORE OUTPUT

Twice as fast as cartridge application, similar speed as pump dispenser.



LESS WASTE

Reduce packaging waste by up to 60%.



SAVE MATERIAL COSTS

Up to 3 times less adhesive residue in the packaging and mixers than with conventional dispensing systems.



ROBUST PROCESSING

A mechanical single drive together with the dynamic mixer ensures perfect dosing of the adhesive and thus precise control of the output quantity.



MOBILE AND FLEXIBLE

Ready anywhere, no power or air supply required. For mobile application e.g. repair and on construction site.

TECHNOLOGY COMPARISON

Sikasil® WT-66 PowerCure	Sikasil® WT-480 2-component, dual-cartridge	Sikasil® WT-40 1-component, unipac
Curing from inside and outside	Curing of the adhesive body	Curing from outside
<ul style="list-style-type: none"> + Fast strength development + For deep joints + Fail proof mixing + Uniform performance 	<ul style="list-style-type: none"> + Fast strength development + For deep joints - Mixing within a defined ratio - Performance depends on mixing accuracy 	<ul style="list-style-type: none"> + Easy handling - Limited joint size - Slow curing in cold or dry air - Slow or no curing in closed cavities (rebate bonding)
PowerCure dispenser	2-component cartridge or pump and dosing units	Manual dispenser



PowerCure DISPENSER

The extraordinary design of the PowerCure dispenser combines flexibility with ergonomic and easy handling. A brushless, mechanical single drive ensures dynamic and perfect dosing of the adhesive and thus precise control of the of the output quantity.

- Economic and simple handling
- Precise as industrial pump



PowerCure MIXER

Dynamic & efficient: The mixers have been adapted to the size of an ordinary application nozzle. Special nozzles with V-cut allow the application of the adhesive at a convenient angle onto the the substrate and result in a material savings of up to 8 %.



PowerCure PACKAGING

The PowerCure unipacs are easy to use and do not have to be cut open: The unipac is opened automatically in the dispenser by inserting the mixer. The emptied packaging causes only minimal waste.



	Sikasil® WT-66 PowerCure	Sikasil® WT-480	Sikasil® WT-40
	Accelerated silicone	2-component silicone	1-component silicone
Packaging	Unipac with booster adapter	490 ml dual-cartridge, drum	Unipac
Dispensing	PowerCure dispenser	Pneumatic or electric 2-component dispenser or pump	Manual, pneumatic or electric 1-component dispenser
Application speed	****	***	**
Approved for burglar proof windows	Yes	Yes	Yes
Curing speed	**	****	Depends on air humidity
Recommended use	High to low volume production, repair and on site application	High volume production, repair and on site application	Repair, on site application

**** 400 g/min extrusion volume

For more information:



Watch tutorial movie:
Get Started with PowerCure





OUR PERFORMANCE – YOUR BENEFITS

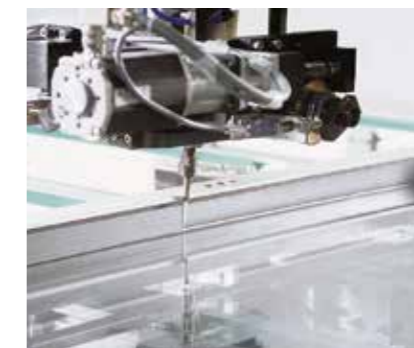
Performance	Benefit
Construction consultancy	<ul style="list-style-type: none"> ■ Review and consultancy of existing and new window system with regard to suitability for bonding ■ Advice on system amendments
Functional testing	<ul style="list-style-type: none"> ■ Support with prototyping ■ Functional tests / test plan of entire system for compatibility, adhesion and function
Application technology	<ul style="list-style-type: none"> ■ Active consulting, including the selection of right application technology ■ Assist in system and equipment engineering for bonding technology ■ Support with application and quality procedures
Applicator training	<ul style="list-style-type: none"> ■ Preparation of operating manuals for bonding in conformity with ISO ■ Factory and on-site training of applicators
External approvals	<ul style="list-style-type: none"> ■ Best practice sample preparation

OUR CORE COMPETENCE – FROM DESIGN TO FIELD



Sika develops bonding and sealing solutions in close cooperation with its customers in the window industry. To Sika, this means not only developing best-in-class technology solutions to match the customer's technical and commercial requirements, but also ensuring appropriate performance throughout the design, prototyping, validation and full production phases. Experts in Sika's R&D, Technical Service and System Engineering specialize in devising unique client-oriented solutions.

DESIGN AND SYSTEM ENGINEERING



Application oriented adhesives and sealants, as well as innovative construction methods are currently in high demand, which calls for design and application support. At Sika FFI Competence Centers the most suitable solutions are developed in partnership with our customers to achieve the targeted results. Ultimately, this means reduced production costs, greater product reliability, improved aesthetic appeal and faster turn-around times, adding value to the activities of Sika customers.

TECHNICAL SERVICE



Sika Technical Service teams are located around the world, and are dedicated to providing best practice selection, validation and application of Sika materials. By being located close to our customers, Sika Technical Service provides fast and reliable tests based on international or local standards and can assure optimum local language communication and understanding throughout the technical application development process to ensure the best possible results.

DO YOU REQUIRE SUPPORT TO PRODUCE YOUR BURGLARY PROOF WINDOW?

GLOBAL BUT LOCAL PARTNERSHIP



FOR MORE INFORMATION:



www.sika.com/windows

Sika AG, Switzerland, is a globally active specialty chemicals company. Sika supplies the building and construction industry as well as manufacturing industries (automotive, bus, truck, rail, solar and wind power plants, facades). Sika is a leader in processing materials used in sealing, bonding, damping, reinforcing and protecting loadbearing structures. Sika's product lines feature high quality concrete admixtures, specialty mortars, sealants and adhesives, damping and reinforcing materials, structural strengthening systems, industrial flooring as well as roofing and waterproofing systems.



Our most current General Sales Conditions shall apply. Please consult the most current local Product Data Sheet prior to any use.



SIKA SERVICES AG
Tueffenwies 16
CH-8048 Zurich
Switzerland

Contact
Phone +41 58 436 40 40
Fax +41 58 436 55 30
www.sika.com/industry

BUILDING TRUST

