



PRODUCT DATA SHEET

Sikaplan® WT Trumpet Flange

Preformed sealing element for anchor penetrations

PRODUCT DESCRIPTION

Sikaplan® WT Trumpet Flange is a preformed FPO-PE flange element with round base plate and pipe.

WHERE TO USE

The Product is used as a:

- Sealing element for anchor and rebar penetrations through FPO (PE) membrane systems
- Injection flange for FPO membrane systems

Please note:

- Sikaplan® WT Trumpet Flange must not be used in combination with PP membranes or Sikaplan® WT 4220.

CHARACTERISTICS / ADVANTAGES

- Compatible to all Sikaplan® WT membranes with a base of PE by heat welding
- Flexible and versatile
- For various anchor and rebar diameters
- Easy and quick application

PRODUCT INFORMATION

Composition / Manufacturing	FPO-PE
Packaging	Products packed in boxes Refer to the current price list for available packaging variations.
Shelf Life	5 years shelf life from date of production.
Storage Conditions	The Product must be stored in original unopened and undamaged packaging in dry conditions.

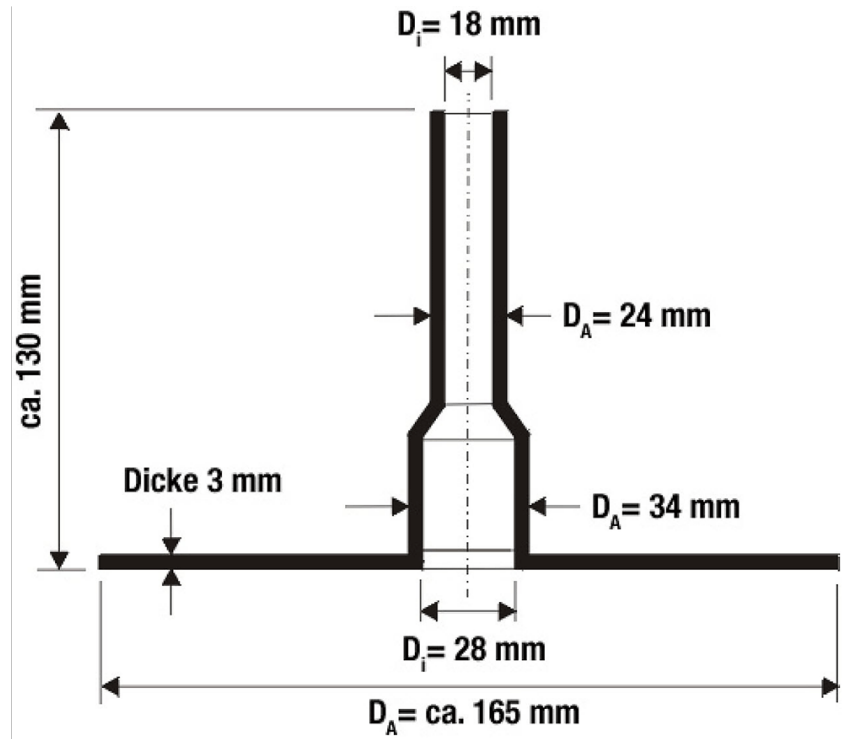
Appearance / Colour

Trumpet-like preformed element with black colour



Dimensions

The dimensions of the Product are shown in the following diagram:



Unit weight

~150 g per piece

TECHNICAL INFORMATION

Ambient Maximum Temperature of Liquids

Service temperature +40 °C

SYSTEMS

System Structure

Ancillary products for usage as sealing element for anchor penetrations:

- Sikaflex®-11 FC+
- Jubilee clips to seal penetration

Ancillary products for usage as injection flange:

- Hose nipple on base of metal or plastic, to be inserted into trumpet flange
 - Metal clamping ring to seal hose nipple
 - Injection hose, or metal pipe with inner winding
-

APPLICATION INFORMATION

Ambient Air Temperature

Minimum

+5 °C

BASIS OF PRODUCT DATA

Product properties are typically averages, obtained under laboratory conditions. Reasonable variations can be expected on-site due to local factors, including environment, preparation, application, curing and test methods.

ENVIRONMENT, HEALTH & SAFETY

This product is a manufactured article that does not require Safety Data Sheets to be marketed, transported or applied at the jobsite, according to the Hazardous Product Act - Section 2. Based on our current knowledge, this product is not classified as dangerous and does not contain any hazardous materials. Always wear personal protective equipment (including safety goggles and gloves) to manipulate and install Sika® products.

APPLICATION INSTRUCTIONS

APPLICATION

IMPORTANT

Application by trained personnel

The application of this Product must only be carried out by an applicator that is trained or approved by Sika. The applicator must also be experienced in this type of application.

FOR USAGE AS SEALING ELEMENT FOR ANCHOR PENETRATIONS

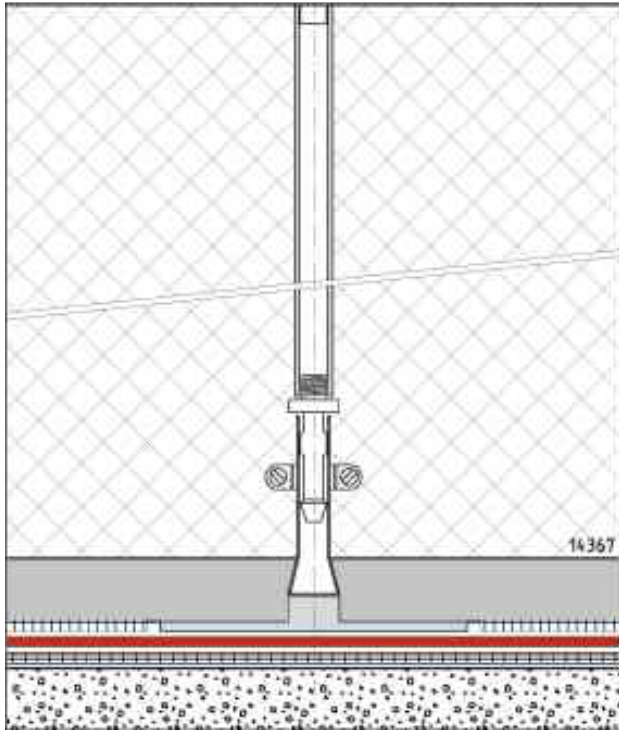


Preconditions:

- Sikaplan® sheet membrane is installed according to the valid Method Statement and standard detail drawings for basement and tunnel waterproofing.
 - Installed Sikaplan® sheet membrane must be dry and clean.
1. Cut a hole into the waterproofing membrane at rock bolt area.
 2. Clean the area to be welded which must be free from any dust, oil, grease or contaminate.
 3. Place and fully weld the Sika trumpet flange to the waterproofing membrane.
 4. Tightly close the trumpet shaft around the rock anchor using Sikaflex®-11 FC+ sealant and jubilee clips.

Product Data Sheet

Sikaplan® WT Trumpet Flange
November 2024, Version 05.01
020720805000000003



1. Spotwise weld the base of the flange onto the sheet membrane using a heat welding tool.
2. Fix the hose nipples into the pipe by clamping with a jubilee clip.
3. Connect the fixed hose nipples to the injection pipe.
Note Ensure that the injection pipe is fixed securely.

LOCAL RESTRICTIONS

Note that as a result of specific local regulations the declared data and recommended uses for this product may vary from country to country. Consult the local Product Data Sheet for exact product data and uses.

LEGAL NOTES

The information, and in particular, the recommendations relating to the application and end-use of Sika products, are given in good faith based on Sika's current knowledge and experience of the products when properly stored, handled and applied under normal conditions in accordance with Sika's recommendations. In practice, the differences in materials, substrates and actual site conditions are such that no warranty in respect of merchantability or of fitness for a particular purpose, nor any liability arising out of any legal relationship whatsoever, can be inferred either from this information, or from any recommendations, or from any other advice offered. The information contained herein does not relieve the user of the products from testing them for the intended application and purpose. The proprietary rights of third parties must be observed. All orders are accepted subject to our current terms of sale and delivery. Users must always refer to the most recent issue of the local Product Data Sheet for the product concerned, copies of which will be supplied on request or may be downloaded from our website at: www.sika.ca

Sika Canada Inc.

Head Office
601, avenue Delmar
Pointe-Claire, Quebec
H9R 4A9
1-800-933-SIKA
www.sika.ca

Other locations

Boisbriand (Quebec)
Brantford; Cambridge;
Sudbury; Toronto (Ontario)
Edmonton (Alberta)
Surrey (British Columbia)

Product Data Sheet

Sikaplan® WT Trumpet Flange
November 2024, Version 05.01
02072080500000003