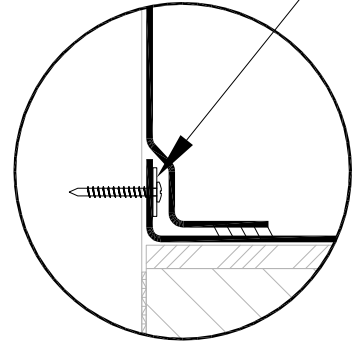


BARRE SARNASTOP OU
SARNABAR AU BAS



ALTERNATIVE DE FIXATION AU
BAS DU MUR OU RELEVÉ

SUPPORT D'ÉQUIPEMENT

RECOUVREMENT MÉTALLIQUE AUX
JOINTS ÉTANCHE À L'EAU.

SOLIN AUTO-ADHÉSIF
PAR D'AUTRE.

RUBAN D'ALUMINIUM
AUTOADHÉSIF. VOIR NOTE 1 & 2

TERMINATION APPROUVÉ SIKA/SARNAFIL:
BARRES D'ATTACHE, FIXATIONS ET SCELLANT
SIKAFLEX®-1A

SOLIN (MEMBRANE) SARNAFIL\SIKAPLAN
ADHÉRE AU SUBSTRAT APPROUVÉ

SÉCURISATION (FIXATION)
SPÉCIFIÉE PAR SIKA SARNAFIL

JOINT THERMOUSOUDÉ À AIR-CHAUDE

MEMBRANE PVC
SARNAFIL OU SIKAPLAN

SIKALASTOMER®-65
OU SIKAFLEX®-1A

MIN
2"

PONTAGE D'ACIER

PANNEAU DE SUPPORT
(TEL QUE REQUIS)

ISOLANT FIXÉ/SÉCURISÉ
(TEL QUE REQUIS)

PARE-VAPEUR
(TEL QUE REQUIS)

NOTES:

- 1) LE RUBAN D'ALUMINIUM AUTO-ADHÉSIF DOIT COUVRIR LA SURFACE DE MEMBRANE SIKA/SARNAFIL AU CHEVAUCHEMENT AVEC AUTRE MEMBRANE OU SOLIN AUTO-ADHÉSIF.
- 2) LE RUBAN D'ALUMINIUM AUTO-ADHÉSIF DOIT ÊTRE PLACÉ LE LONG DU REBORD ET ÉGALEMENT TOUTS LES REBORDS DE RECOUVREMENT DE MATÉRIAU NON-COMPATIBLE AFIN D'ATTÉNUER LE COULEMENT DE MATÉRIAU NON-COMPATIBLE SUR LES MEMBRANES SIKA SARNAFIL.
- 3) TOUTE CONTAMINATION DE LA MEMBRANE SIKA SARNAFIL DOIT ÊTRE CORRIGÉE AVANT L'ÉMISSION DE LA GARANTIE DE SIKA CANADA.
- 4) LE SCELLANT EST UN ÉLÉMENT D'ENTRETIEN ET N'EST PAS UNE ÉLÉMENT COUVERT PAR LA GARANTIE DE SIKA/SARNAFIL.



BUILDING TRUST
800-933-7452

can.sika.com

DETAIL NAME:

SUPPORT D'ÉQUIPEMENT

SCALE:

N.T.S.

DATE:

4/22

DETAIL NO.:

CAN 5-4_FR

AS A MANUFACTURER OF CONSTRUCTION PRODUCTS, SIKA CANADA INC. (SIKA) PROVIDES GENERIC DETAILS AS A GENERAL GUIDE FOR INFORMATION PURPOSES ONLY. SIKA MAY REVIEW DETAILS PREPARED BY THE CONSULTANT, ARCHITECT, ENGINEER AND/OR DESIGN PROFESSIONAL FOR A PROJECT SOLELY FOR THE PURPOSE OF DETERMINING IF A SIKA WARRANTY MAY BE ISSUED FOR THE PROJECT. THE GENERIC DETAILS AND/OR REVIEW OF DETAILS ARE NOT CONSTRUED AS APPROVAL OF DETAILS BY SIKA AND IS NOT BEING CONDUCTED IN LIEU OF SOUND CONSULTANT, ARCHITECT, ENGINEER AND/OR DESIGN PROFESSIONAL PRACTICES AND JUDGEMENT AND SHOULD NOT BE RELIED UPON FOR THAT PURPOSE. SIKA ASSUMES NO LIABILITY WITH RESPECT TO THE DESIGN OF THE ROOFING SYSTEM. THE CONSULTANT, ARCHITECT, ENGINEER AND/OR DESIGN PROFESSIONAL FOR A PARTICULAR PROJECT BEARS THE SOLE RESPONSIBILITY FOR THE DESIGN OF THE SYSTEM. FOR THE PREPARATION AND APPROVAL OF THE PROJECT SPECIFICATIONS, DETAILS, SHOP DRAWINGS AND FOR DETERMINING THEIR SUITABILITY FOR A PARTICULAR PROJECT OR APPLICATION. WHILE SIKA PROVIDES GENERAL INSTRUCTION FOR THE INSTALLATION OF ITS MATERIALS, AS WELL AS TRAINING FOR SIKA AUTHORISED APPLICATORS, THE MEANS AND METHODS USED BY THE CONTRACTOR FOR MATERIAL STORAGE, SUBSTRATE EVALUATION, SURFACE PREPARATION, AND THE INSTALLATION OF BOTH SIKA AND NON SIKA MATERIALS ARE THE RESPONSIBILITY OF THE CONTRACTOR. THE CONTRACTOR MUST ALWAYS READ AND FOLLOW THE WARNINGS AND INSTRUCTIONS OF SIKA PRODUCT LABELS, TECHNICAL DATA SHEETS, AND MATERIAL SAFETY DATA SHEETS. ALL SALE OF SIKA PRODUCTS AND SERVICES ARE SUBJECT TO SIKA'S TERMS AND CONDITIONS OF SALE AVAILABLE AT WWW.CAN.SIKA.COM.